

Sheet Index			
Layout ID	Current Revision ID	Layout Name	
A101		UPVC TIMBER CAVITY	<input type="checkbox"/>
A102		UPVC DIRECT FIXED	<input type="checkbox"/>
A103		UPVC EIFS	<input type="checkbox"/>
A104		UPVC SOLID WALL	<input type="checkbox"/>
A105		UPVC MASONRY & FOUNDATION CONECTION	<input type="checkbox"/>
A106		UPVC MASONRY ALTERNATIVE	<input type="checkbox"/>
A107		UPVC WITH EXTENTION	<input type="checkbox"/>
A201		UPVC SLIDING DOOR CAVITY WEATHERBOARD	<input type="checkbox"/>
A202		UPVC SLIDING DOOR DIRECT FIX WEATHERBOARD	<input type="checkbox"/>
A203		UPVC SLIDING DOOR EIFS	<input type="checkbox"/>
A204		UPVC SLIDING DOOR SOLID WALL	<input type="checkbox"/>
A205		UPVC SLIDING DOOR MASONRY	<input type="checkbox"/>

REV

SHEET SHEET TITLE: Sheet Index

ISSUED: 4/02/2020

EKO WINDOWS

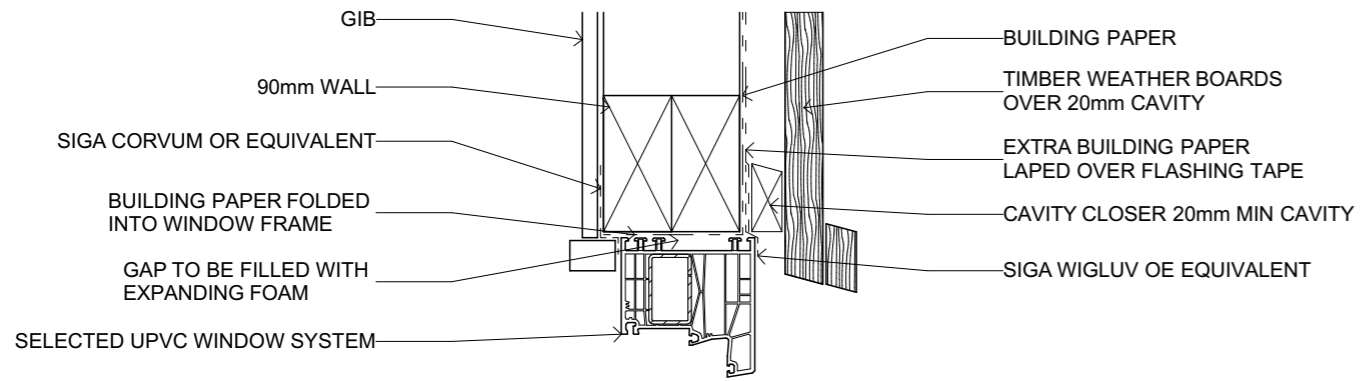
UPVC WINDOW & DOOR DETAILS

Notes: 5mm min gap between window and cladding.

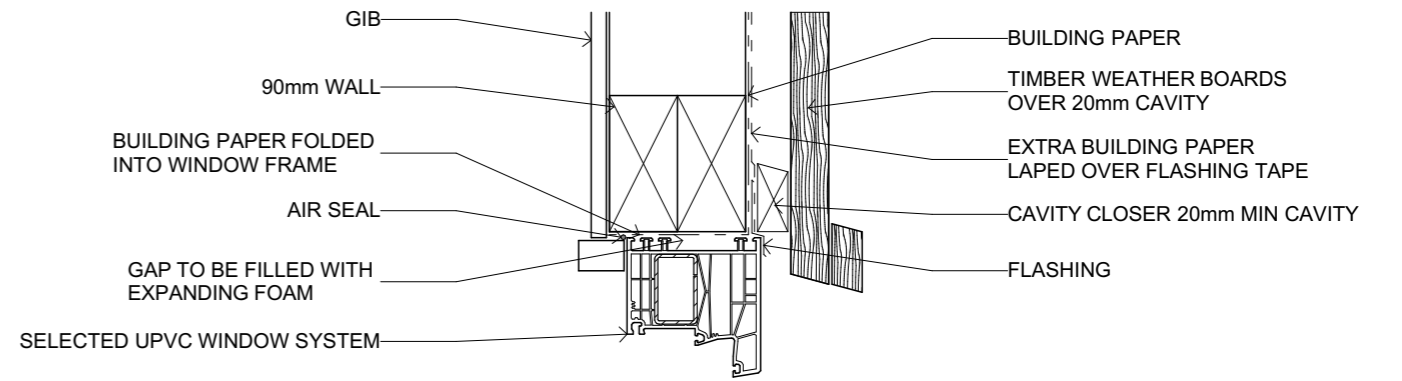
UPVC 88 system used in details.

Scale 1:1 @ A3

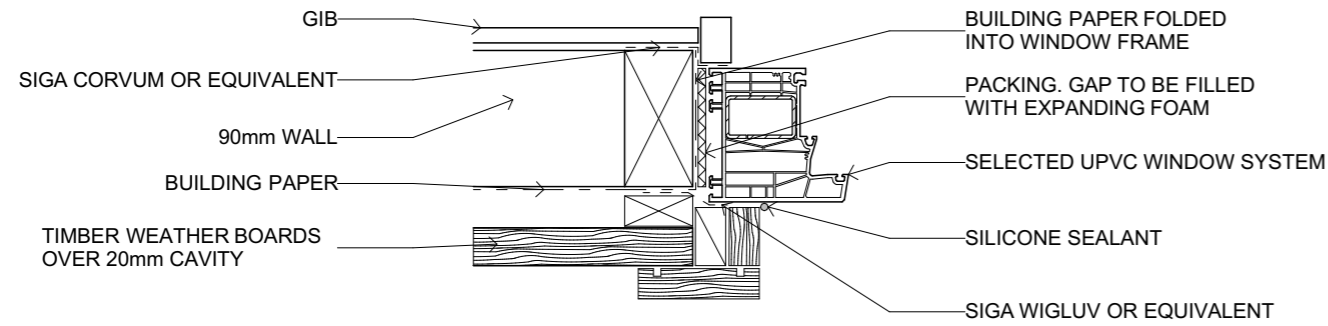
Do not scale off drawings



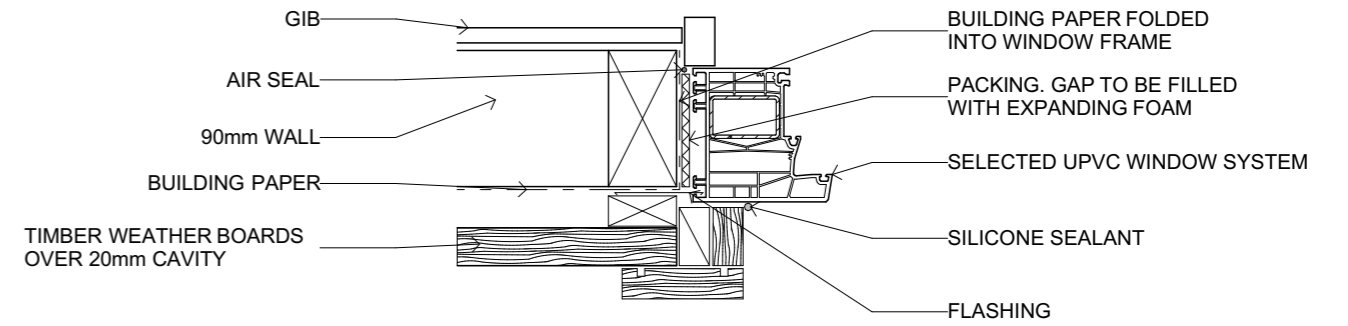
HEAD FLASHING TAPE



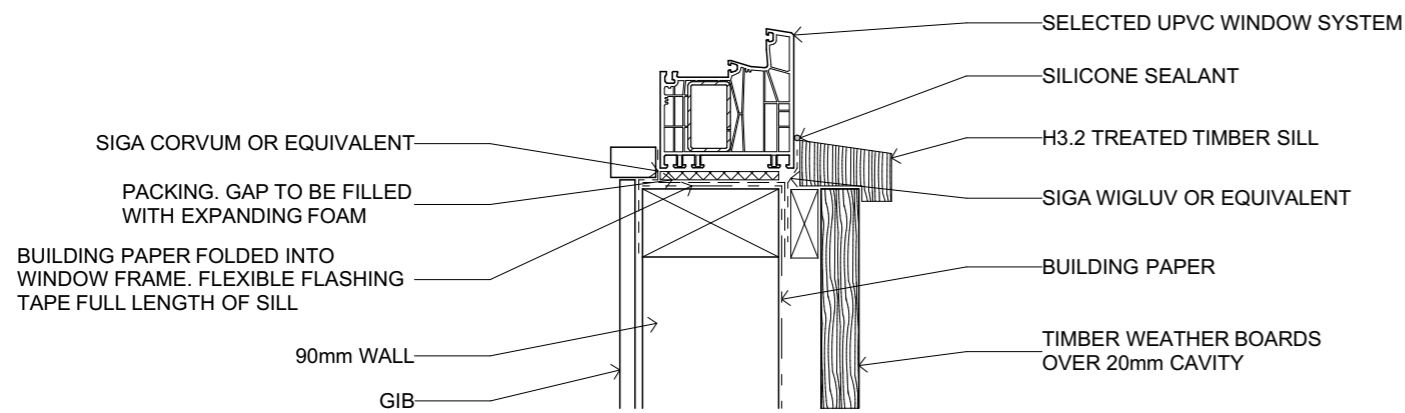
HEAD FLASHING STEEL



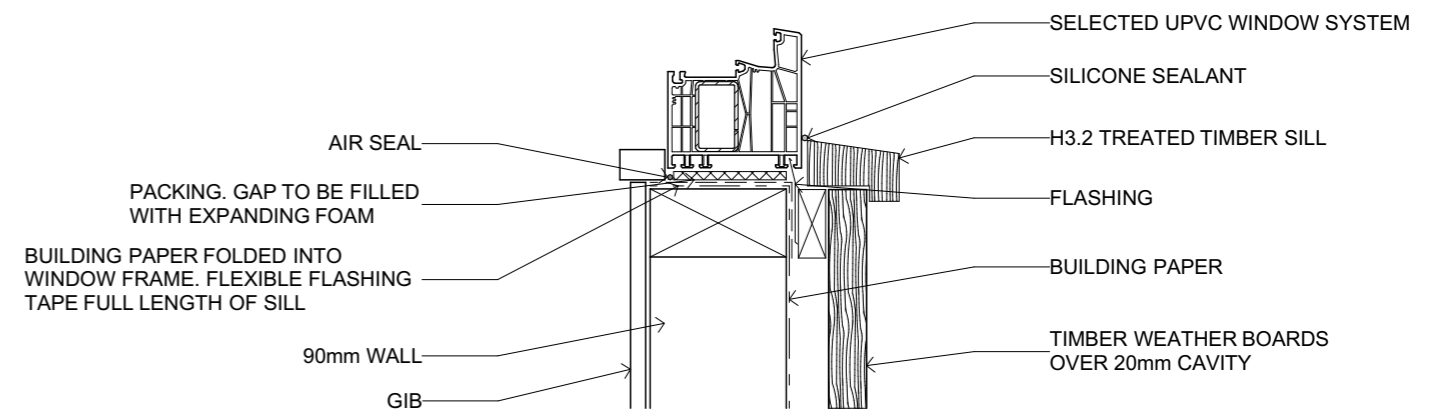
JAMB FLASHING TAPE



JAMB FLASHING STEEL



SILL FLASHING TAPE



SILL FLASHING STEEL

REV	SHEET	SHEET TITLE: UPVC TIMBER CAVITY
	A101	
	ISSUED:	4/02/2020

EKO WINDOWS

UPVC WINDOW & DOOR DETAILS

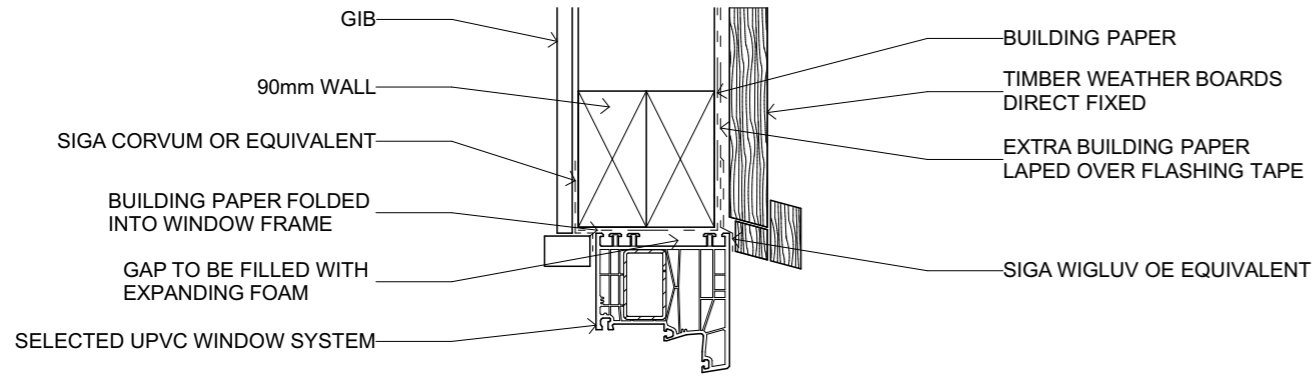
Notes: 5mm min gap between window and cladding.

UPVC 88 system used in details.

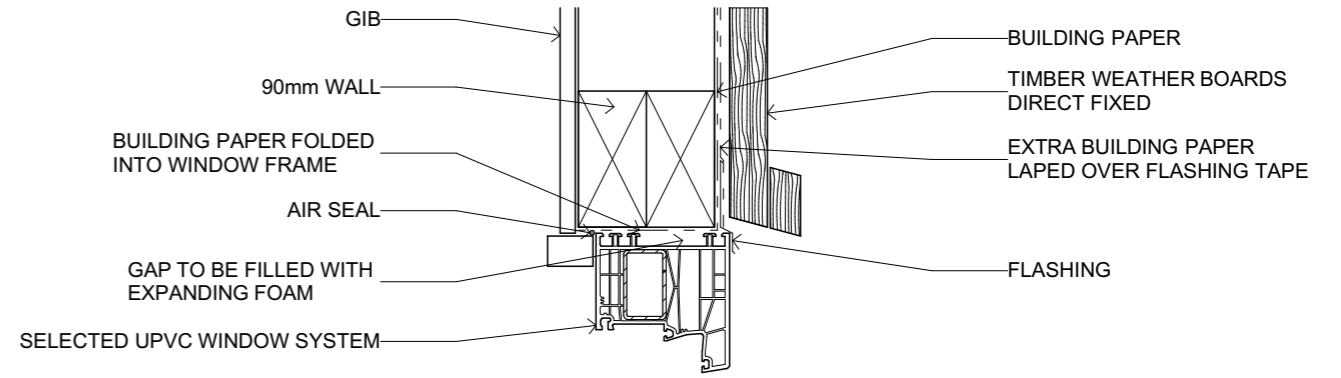
Scale 1:5 @ A3

Do not scale off drawings

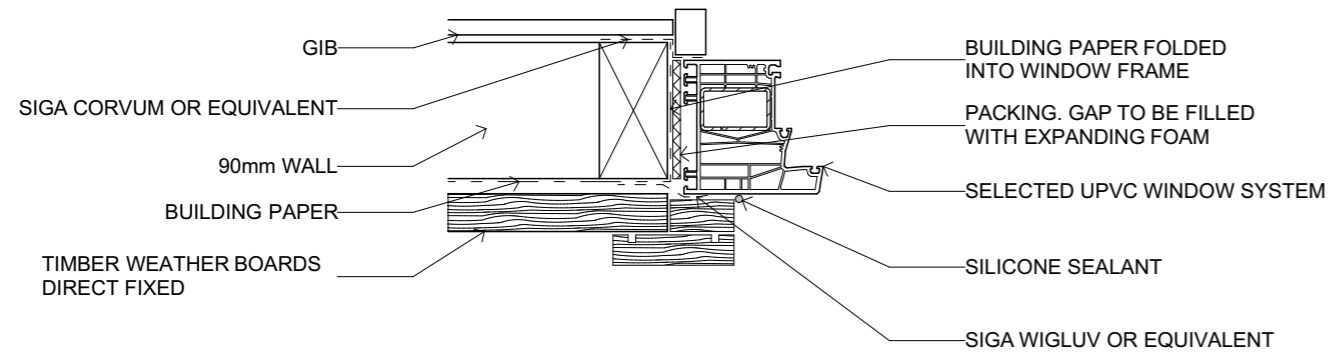
RevID	ChID	Revision	Date



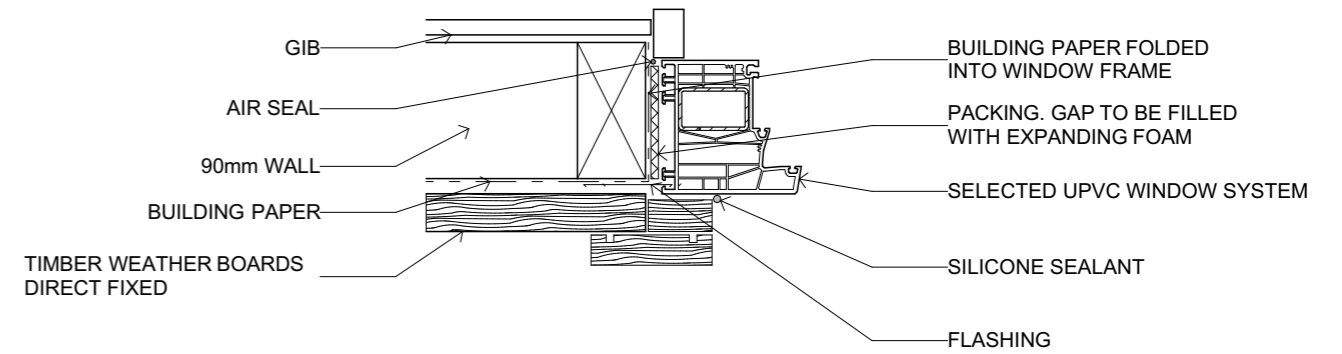
HEAD FLASHING TAPE



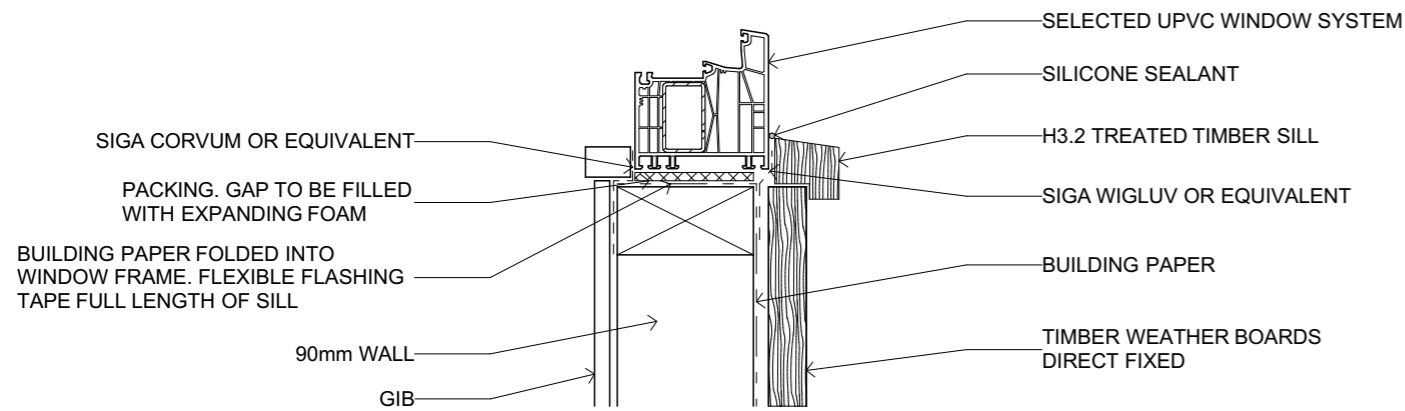
HEAD FLASHING STEEL



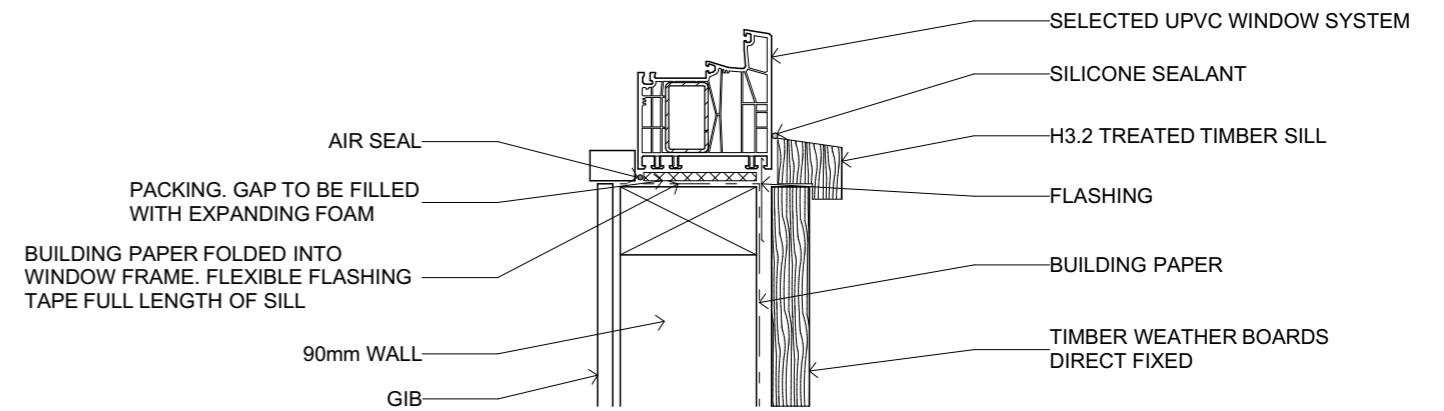
JAMB FLASHING TAPE



JAMB FLASHING STEEL



SILL FLASHING TAPE



SILL FLASHING STEEL

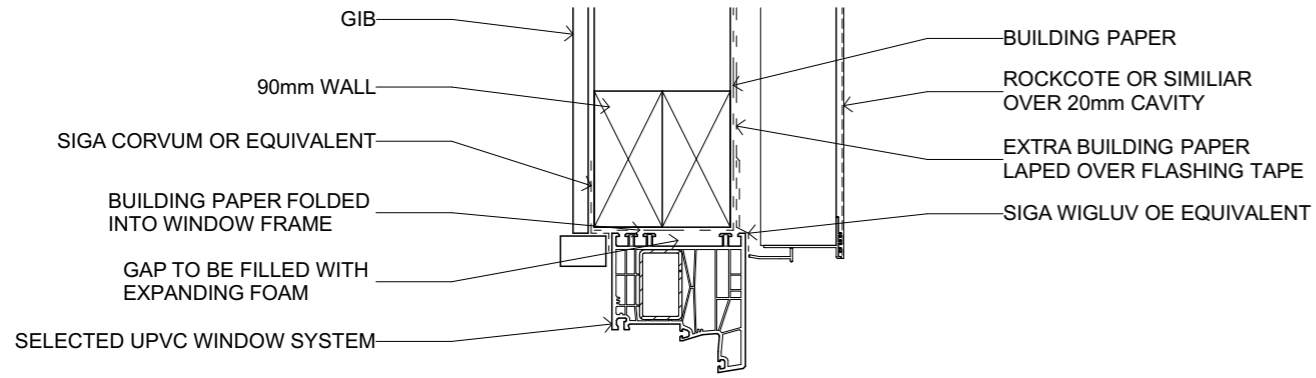
REV	SHEET	SHEET TITLE: UPVC DIRECT FIXED
	A102	
	ISSUED:	4/02/2020

EKO WINDOWS

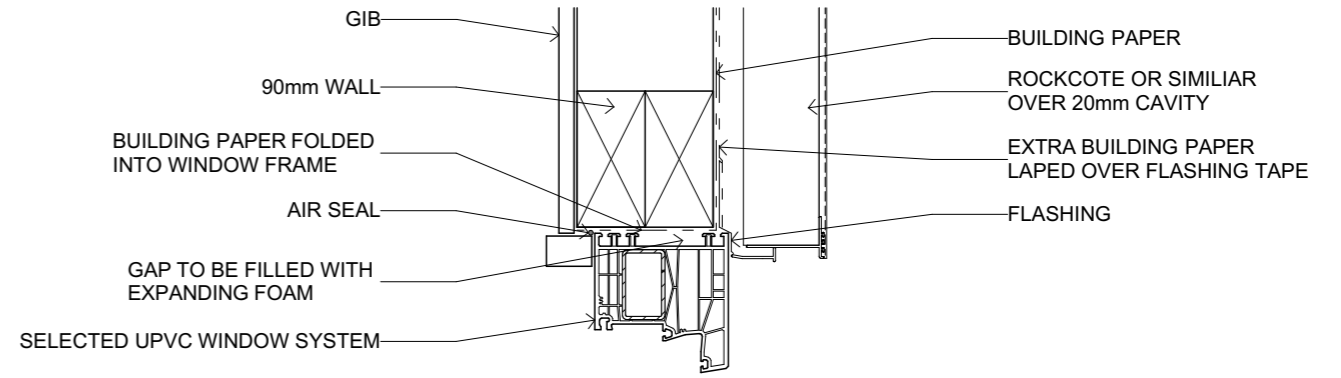
UPVC WINDOW & DOOR DETAILS

Notes: 5mm min gap between window and cladding.
 UPVC 88 system used in details.
 Scale 1:5 @ A3
 Do not scale off drawings

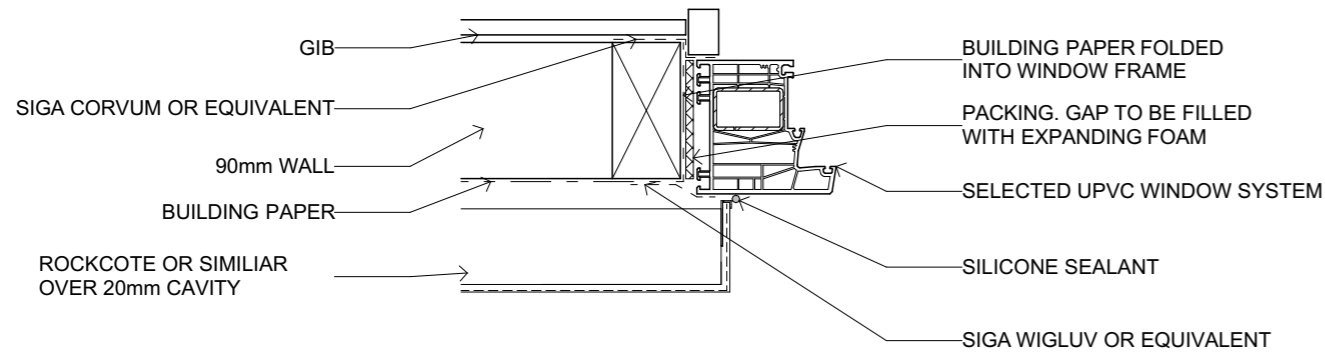
RevID	ChID	Revision	Date



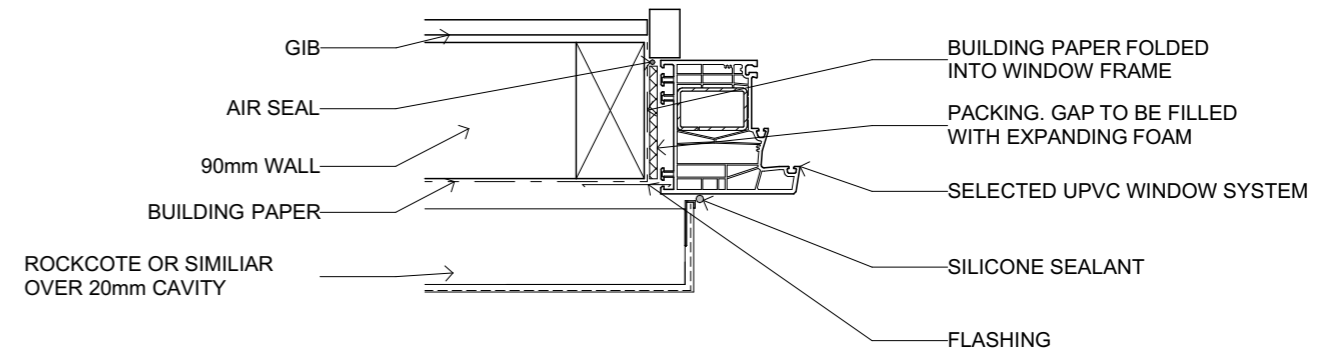
HEAD FLASHING TAPE



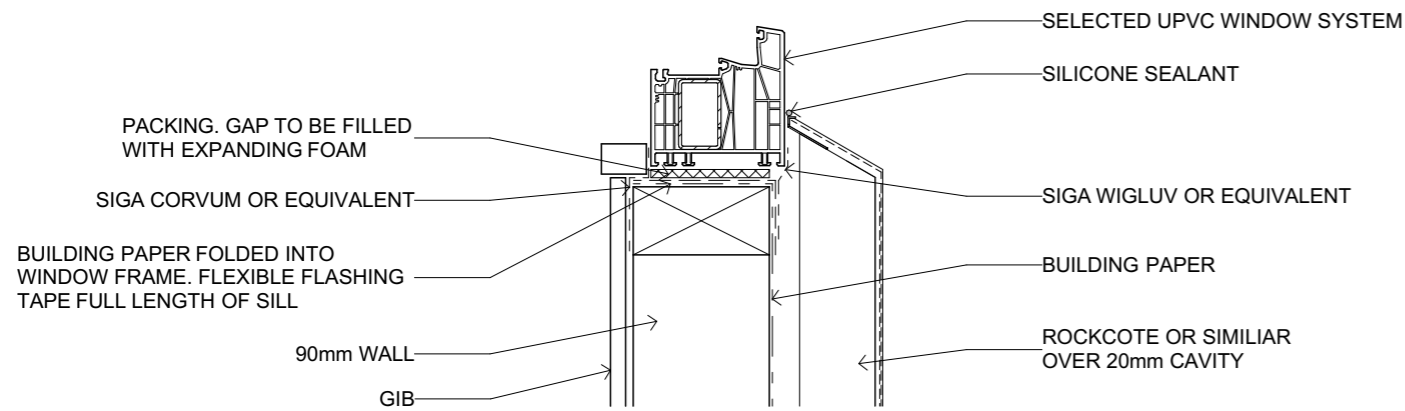
HEAD FLASHING STEEL



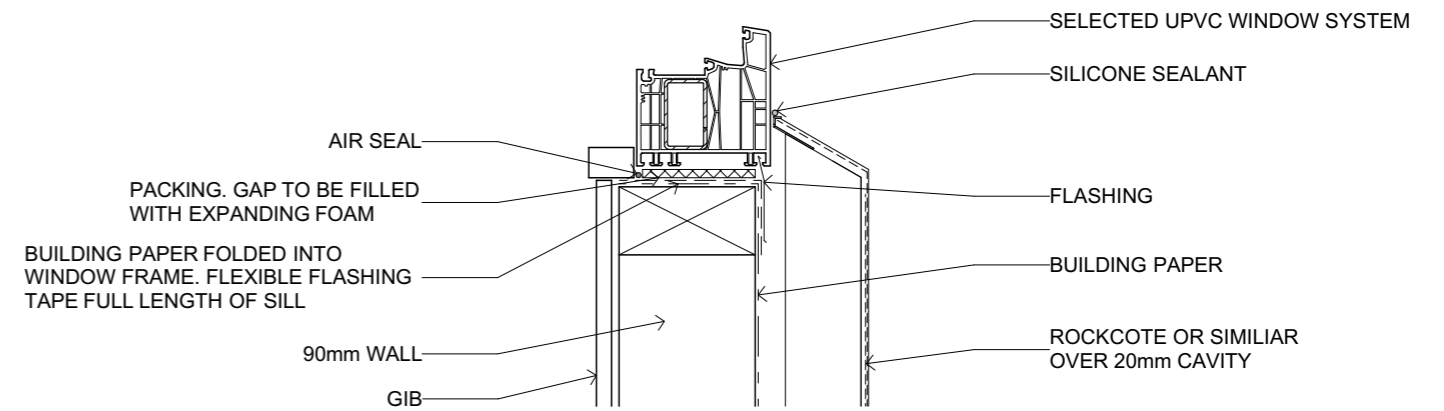
JAMB FLASHING TAPE



JAMB FLASHING STEEL



SILL FLASHING TAPE



SILL FLASHING STEEL

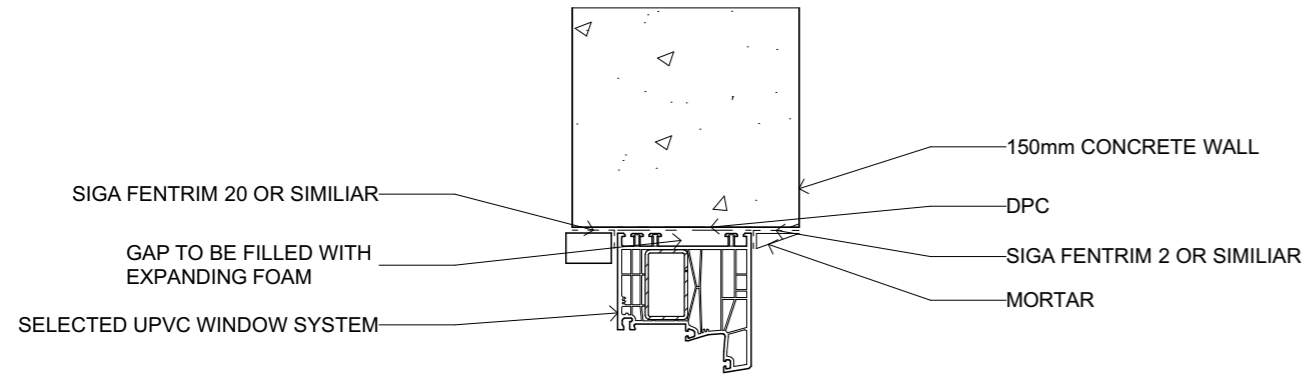
REV	SHEET	SHEET TITLE: UPVC EIFS
	ISSUED:	4/02/2020

EKO WINDOWS

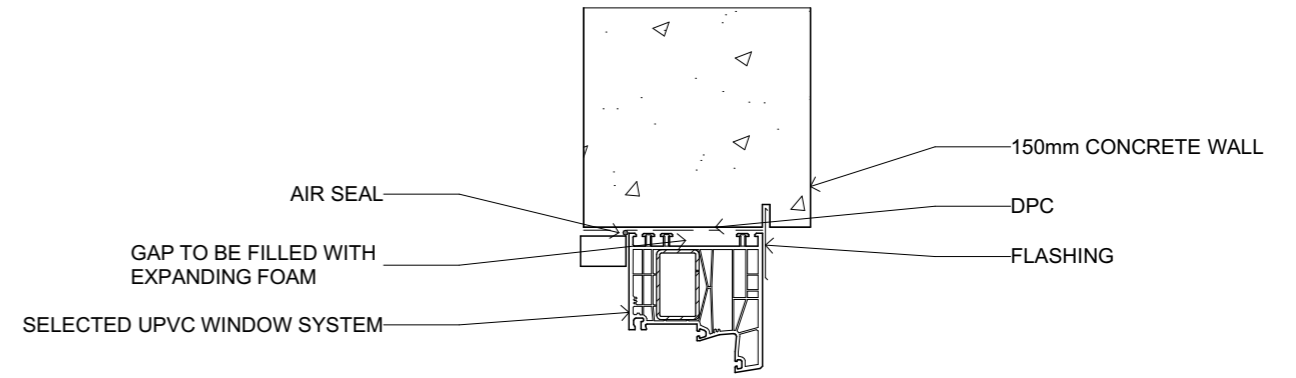
UPVC WINDOW & DOOR DETAILS

Notes: 5mm min gap between window and cladding.
 UPVC 88 system used in details.
 Scale 1:5 @ A3
 Do not scale off drawings

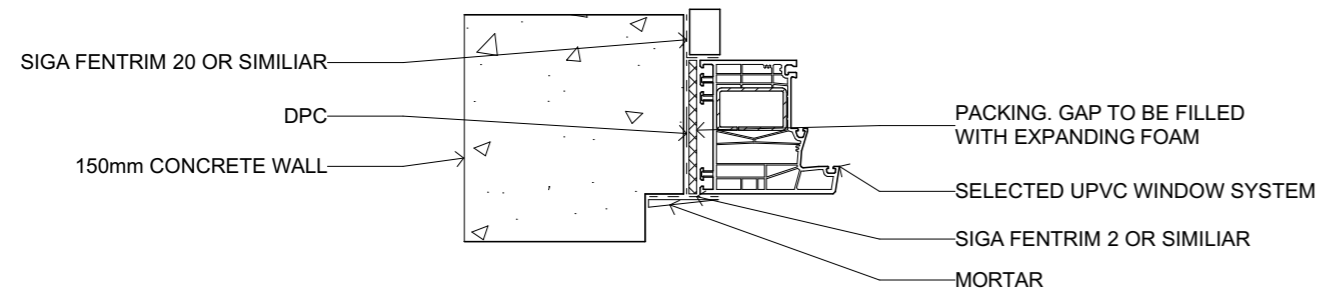
RevID	ChID	Revision	Date



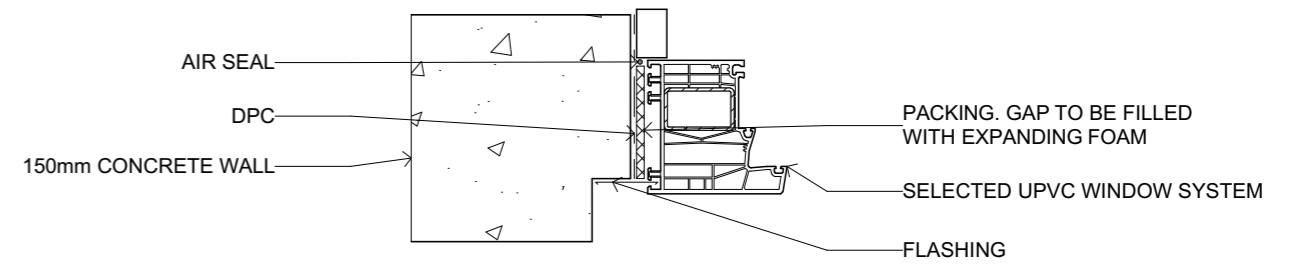
HEAD FLASHING TAPE



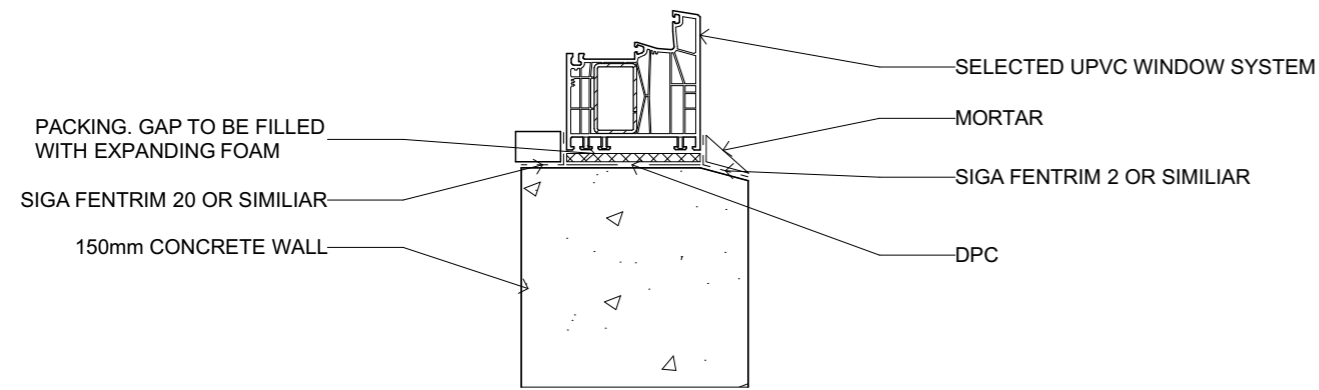
HEAD FLASHING STEEL



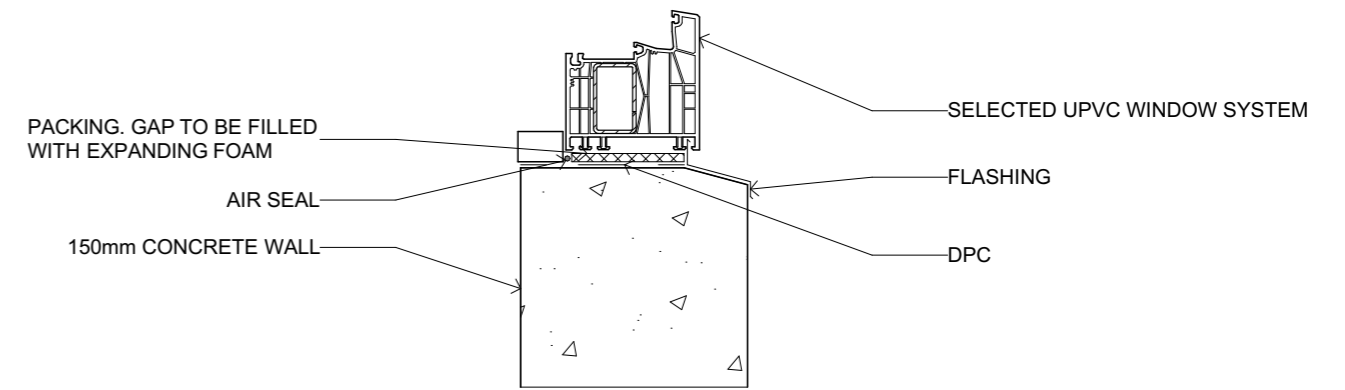
JAMB FLASHING TAPE



JAMB FLASHING STEEL



SILL FLASHING TAPE



SILL FLASHING STEEL

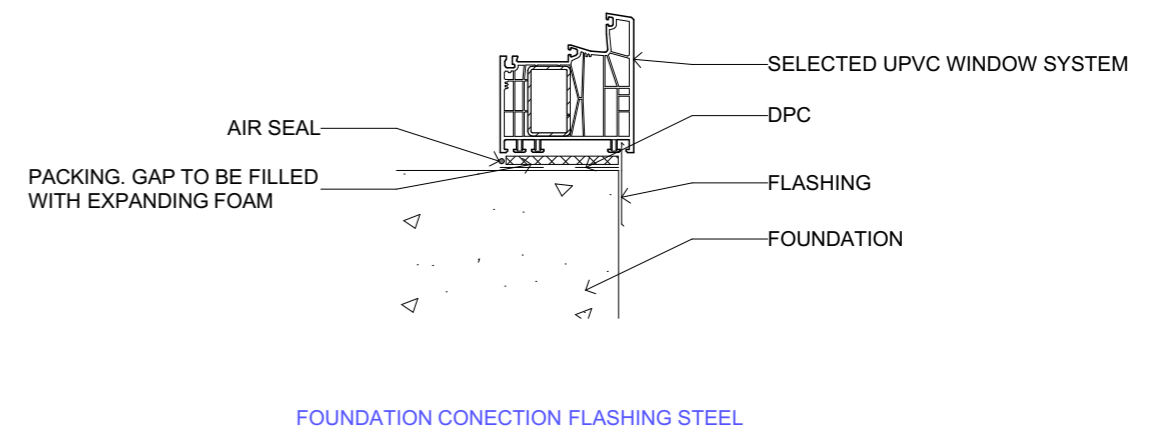
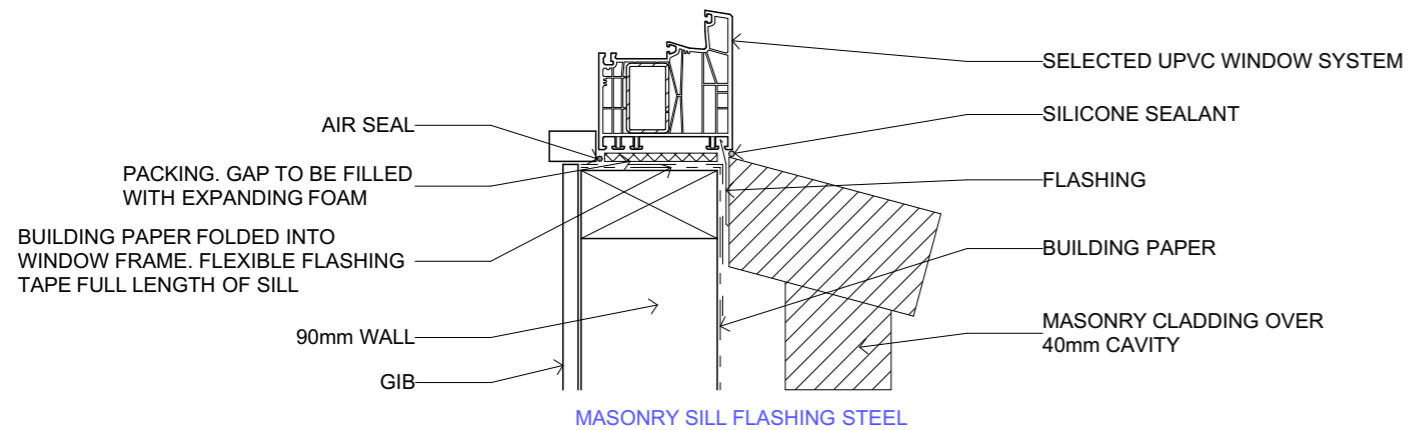
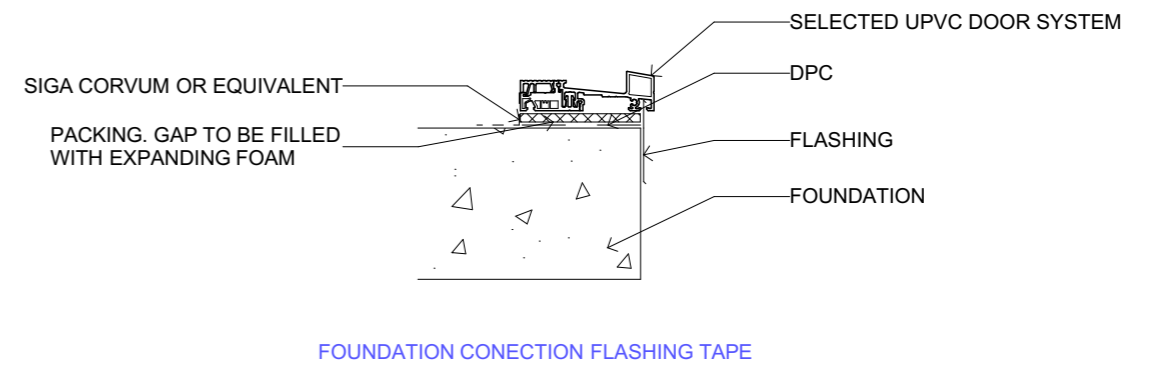
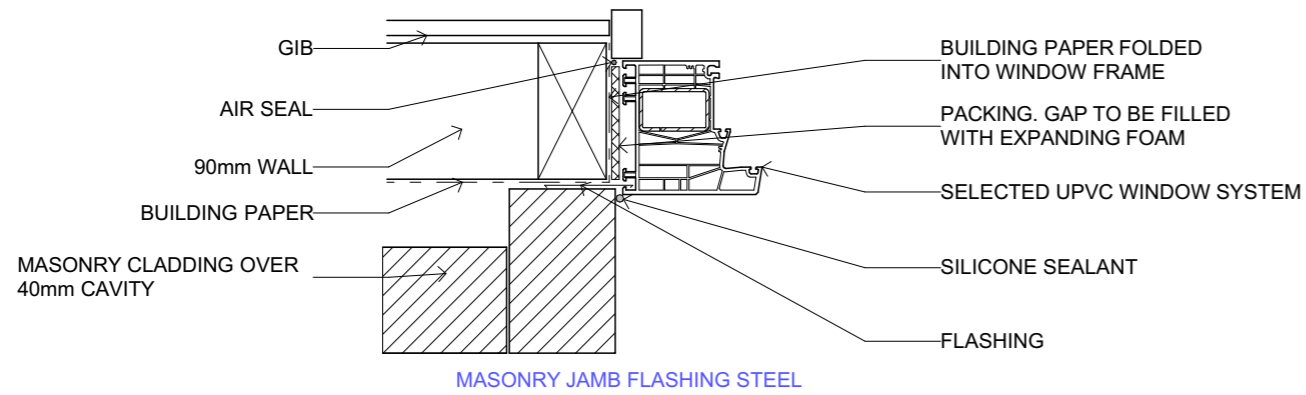
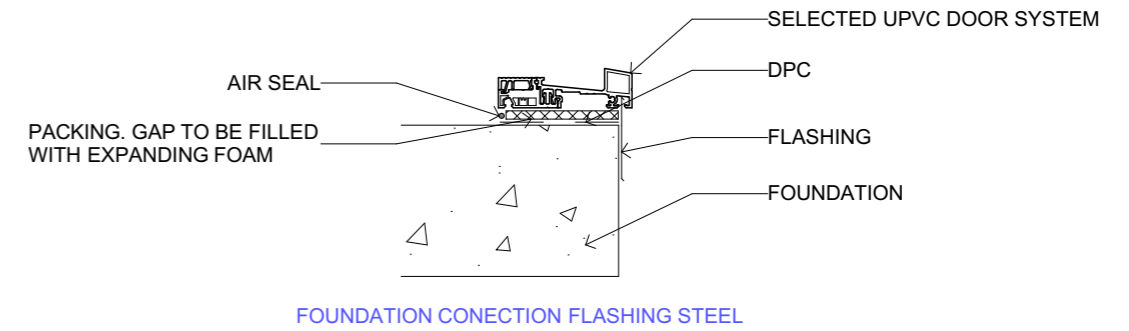
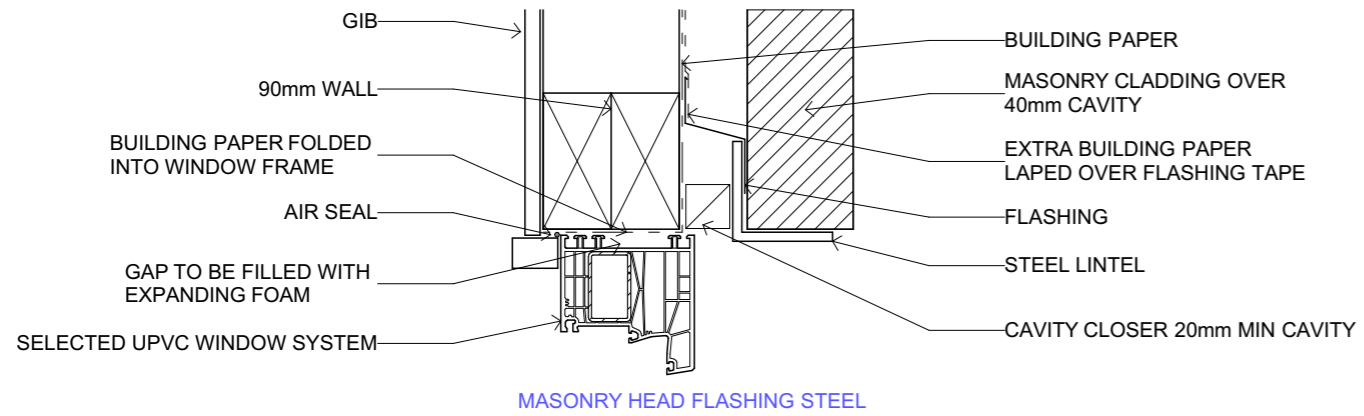
REV	SHEET	SHEET TITLE: UPVC SOLID WALL
	A104	
	ISSUED:	4/02/2020

EKO WINDOWS

UPVC WINDOW & DOOR DETAILS

Notes: 5mm min gap between window and cladding.
 UPVC 88 system used in details.
 Scale 1:5 @ A3
 Do not scale off drawings

RevID	ChID	Revision	Date



REV	SHEET	SHEET TITLE: UPVC MASONRY & FOUNDATION CONECTION
	A105	
	ISSUED:	4/02/2020

EKO WINDOWS

UPVC WINDOW & DOOR DETAILS

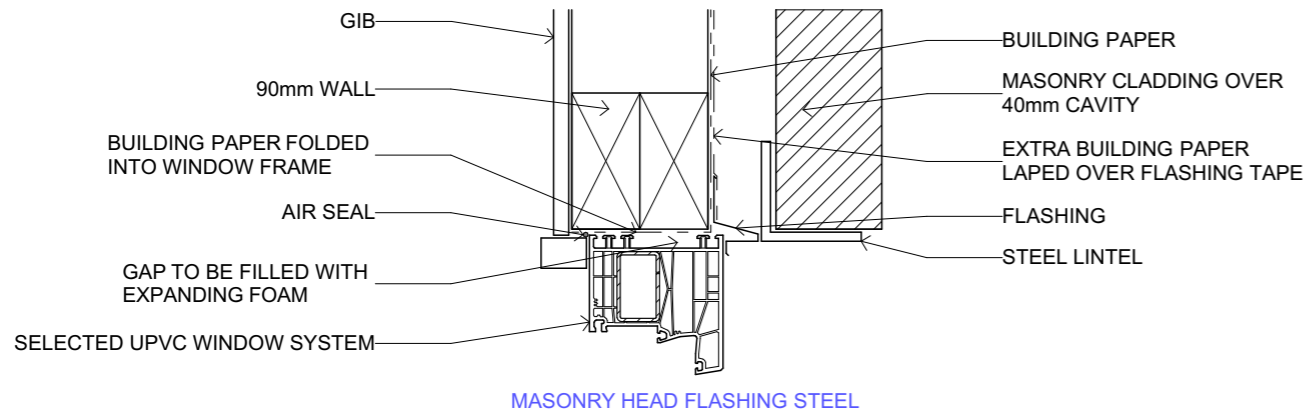
Notes: 5mm min gap between window and cladding.

UPVC 88 system used in details.

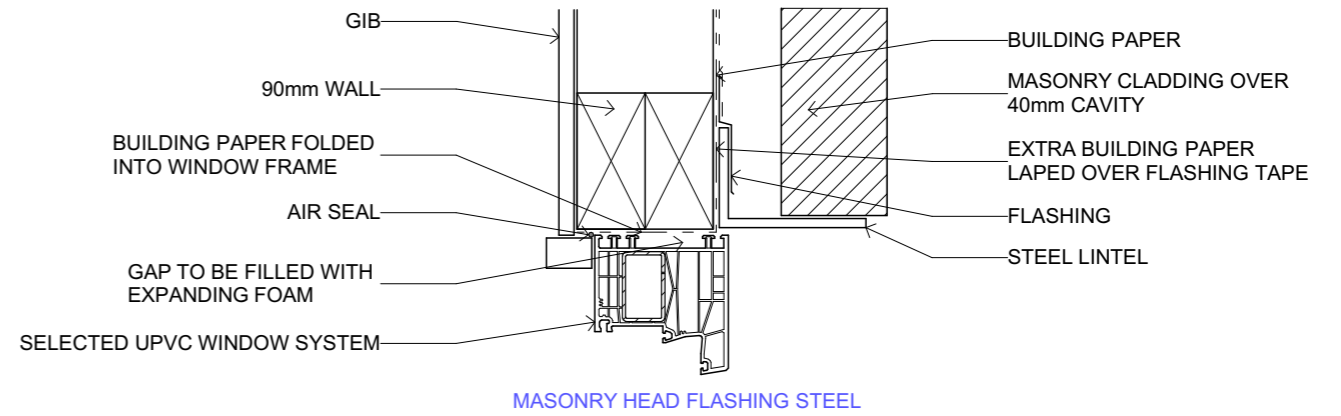
Scale 1:5 @ A3

Do not scale off drawings

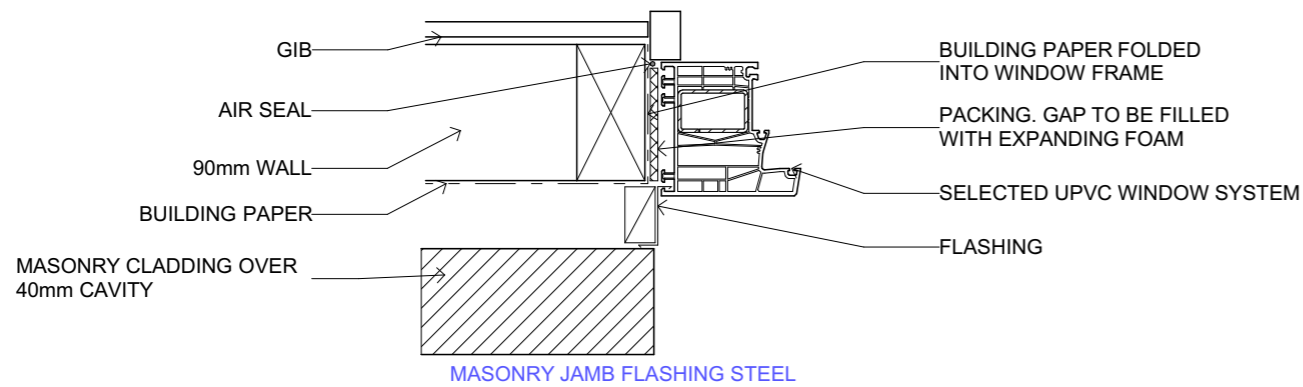
RevID	ChID	Revision	Date



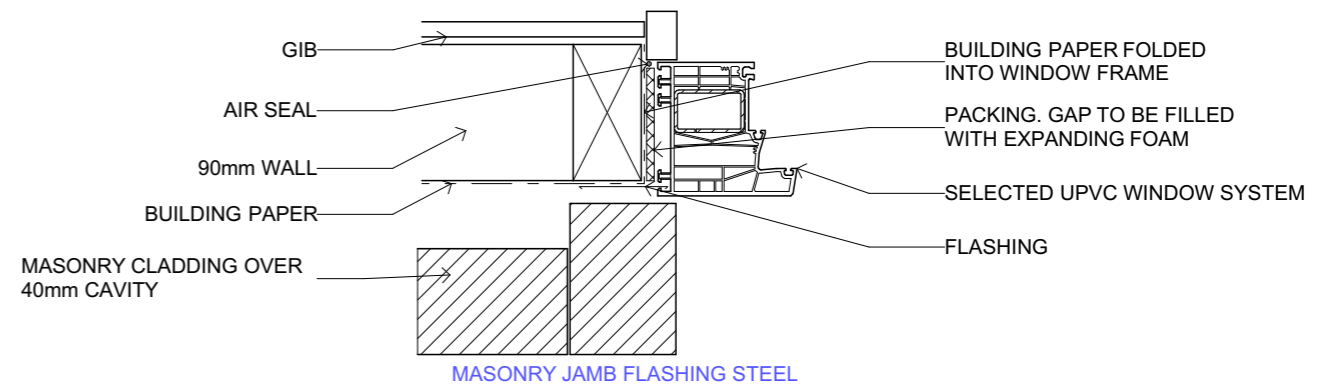
MASONRY HEAD FLASHING STEEL



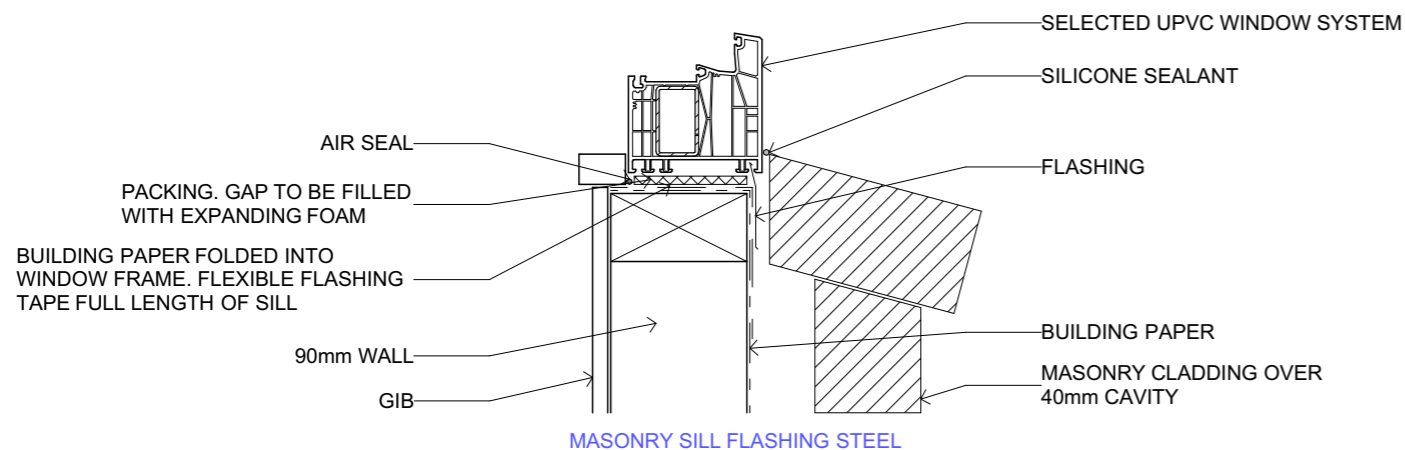
MASONRY HEAD FLASHING STEEL



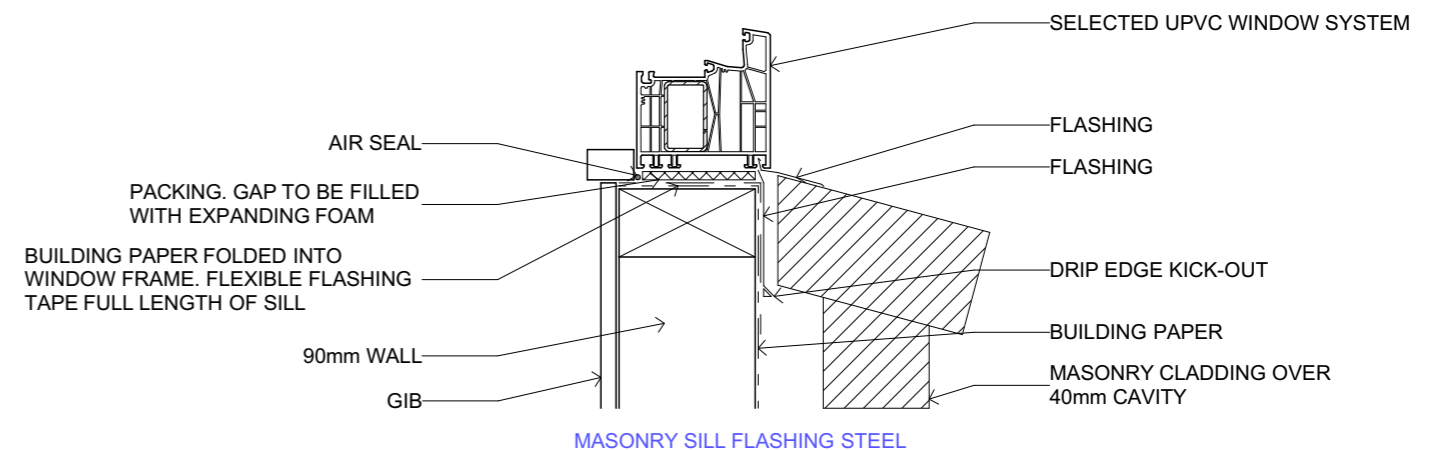
MASONRY JAMB FLASHING STEEL



MASONRY JAMB FLASHING STEEL



MASONRY SILL FLASHING STEEL



MASONRY SILL FLASHING STEEL

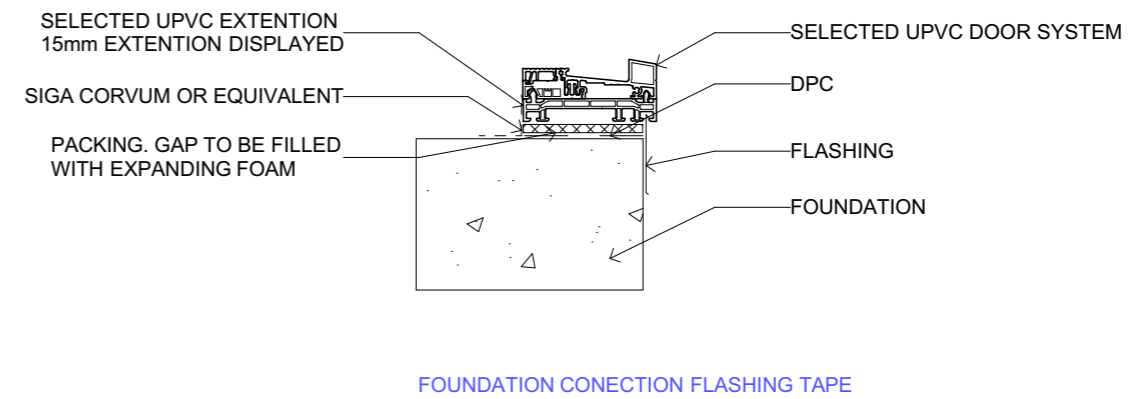
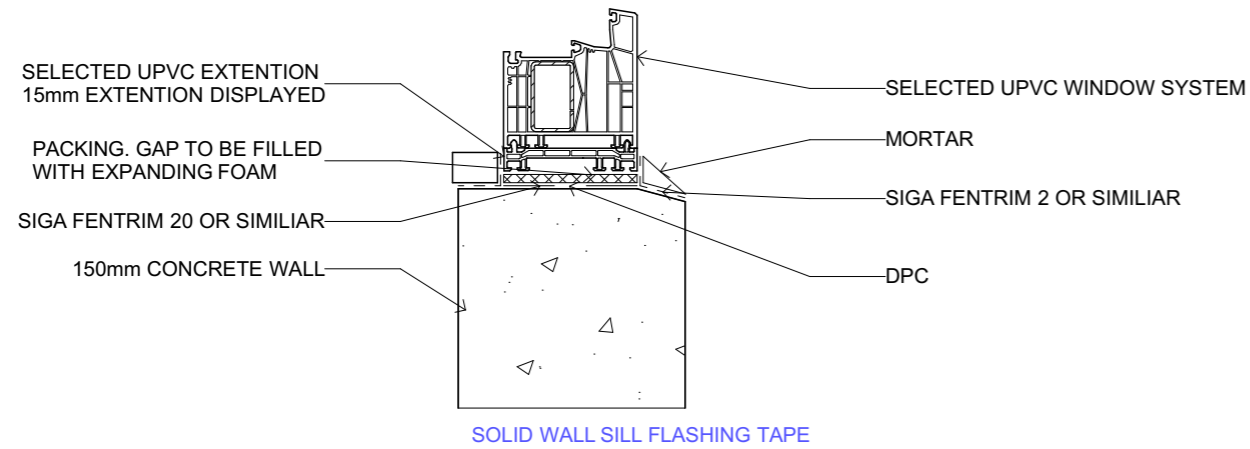
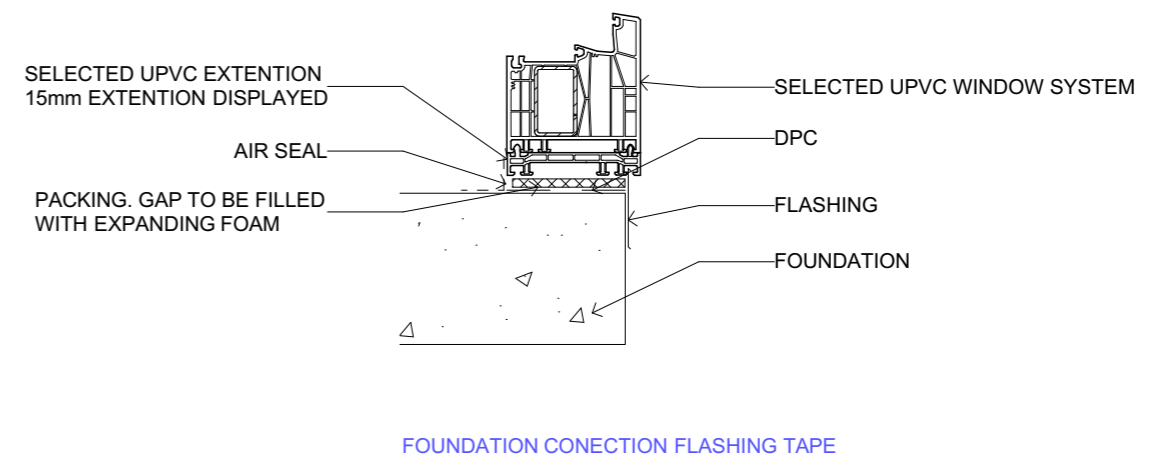
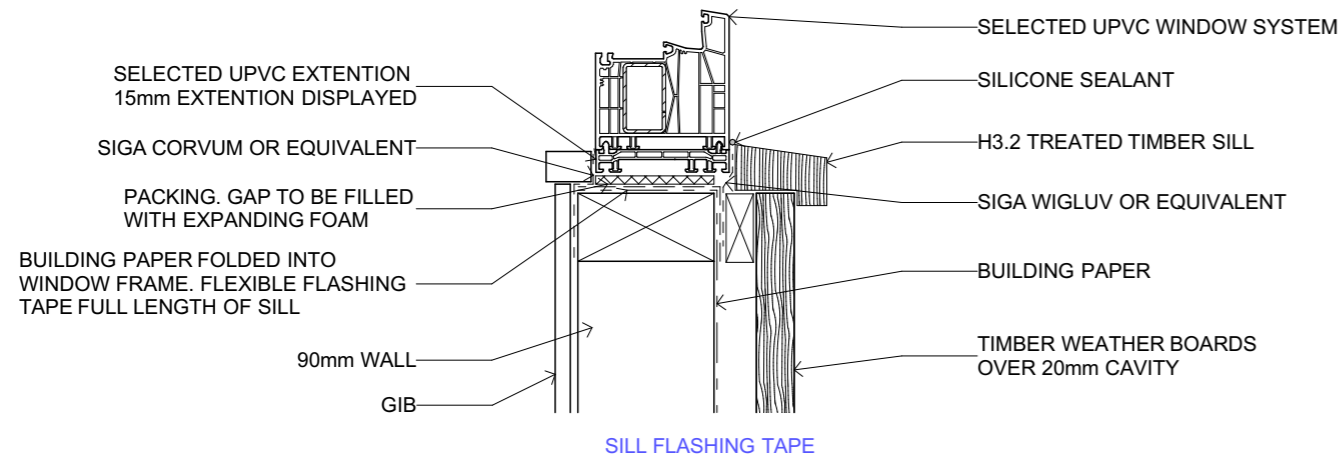
REV	SHEET	SHEET TITLE: UPVC MASONRY ALTERNATIVE
	A106	
	ISSUED:	4/02/2020

EKO WINDOWS

UPVC WINDOW & DOOR DETAILS

Notes: 5mm min gap between window and cladding.
 UPVC 88 system used in details.
 Scale 1:5 @ A3
 Do not scale off drawings

RevID	ChID	Revision	Date



REV	SHEET	SHEET TITLE: UPVC WITH EXTENTION
	A107	
	ISSUED:	4/02/2020

EKO WINDOWS

UPVC WINDOW & DOOR DETAILS

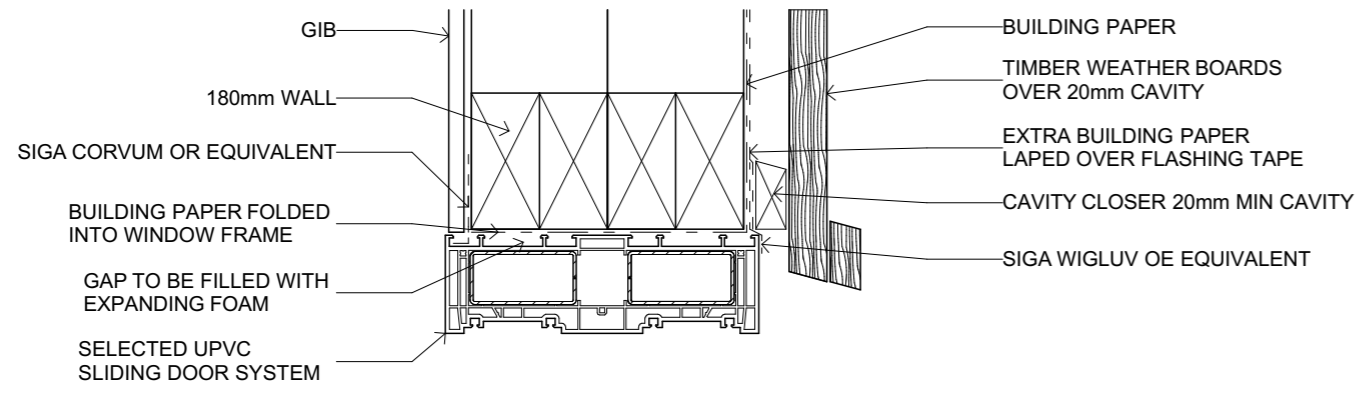
Notes: 5mm min gap between window and cladding.

UPVC 88 system used in details.

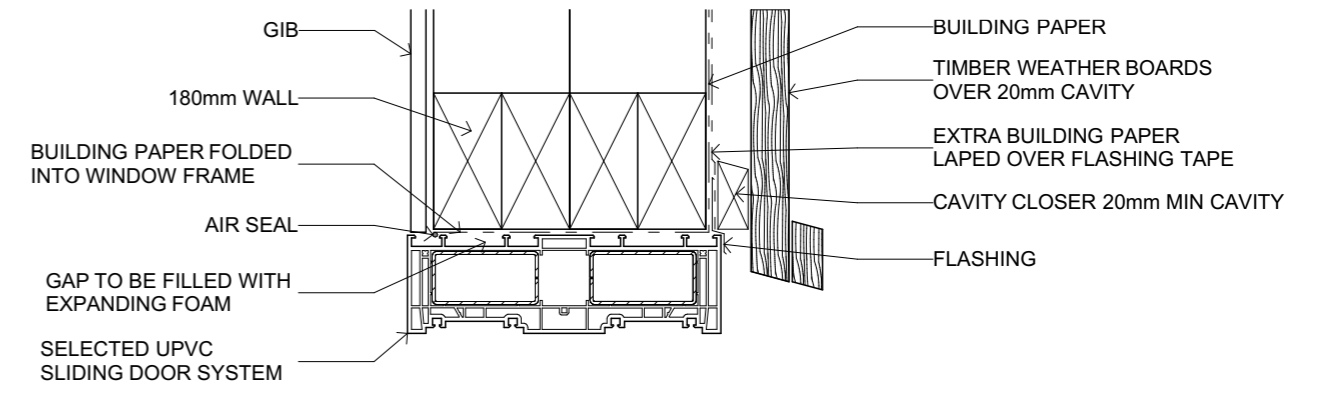
Scale 1:5 @ A3

Do not scale off drawings

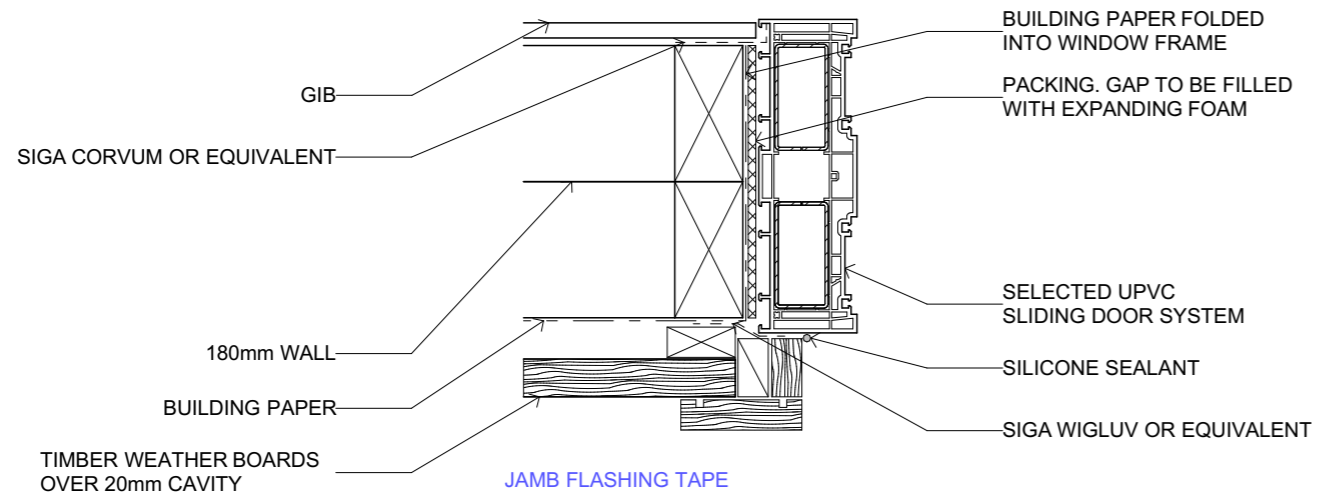
RevID	ChID	Revision	Date



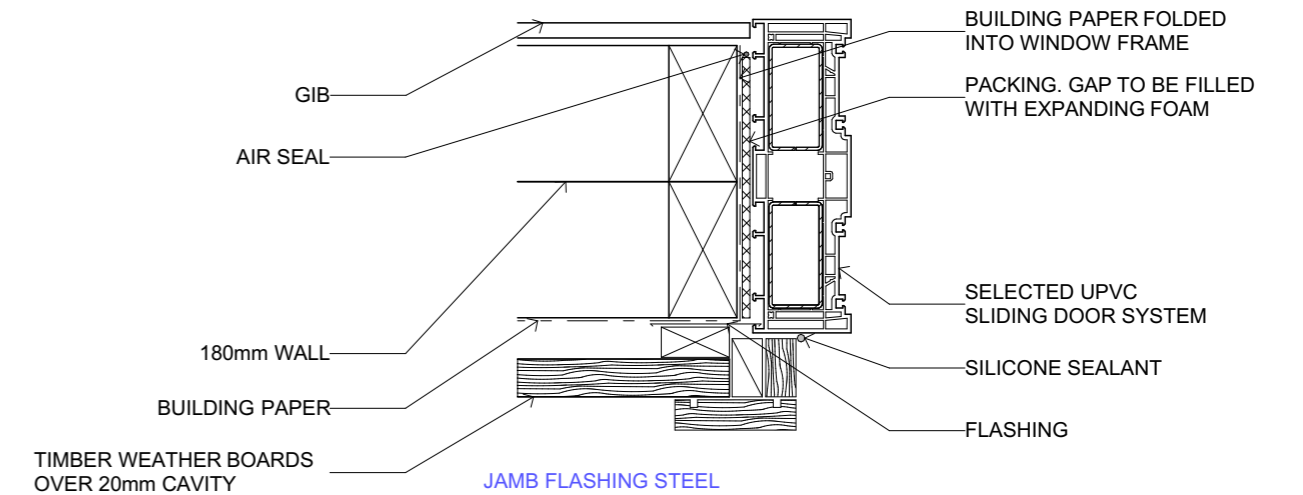
HEAD FLASHING TAPE



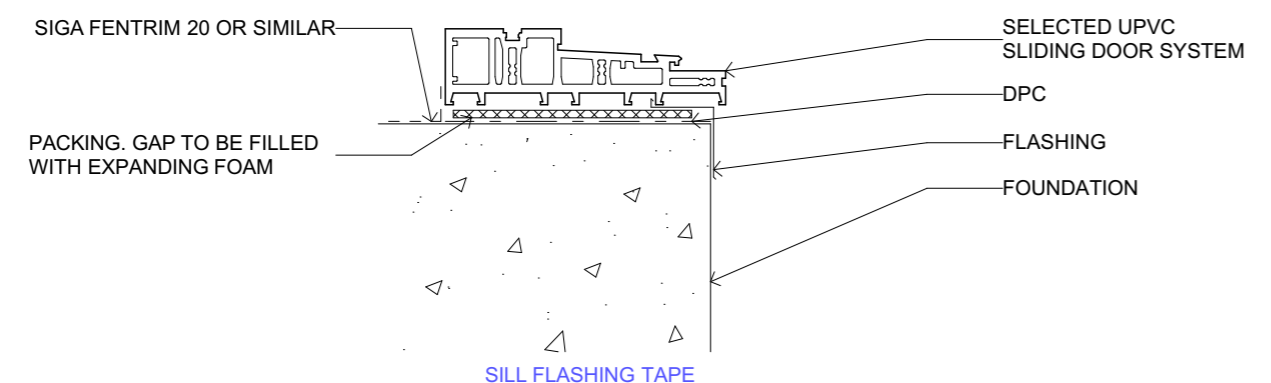
HEAD FLASHING STEEL



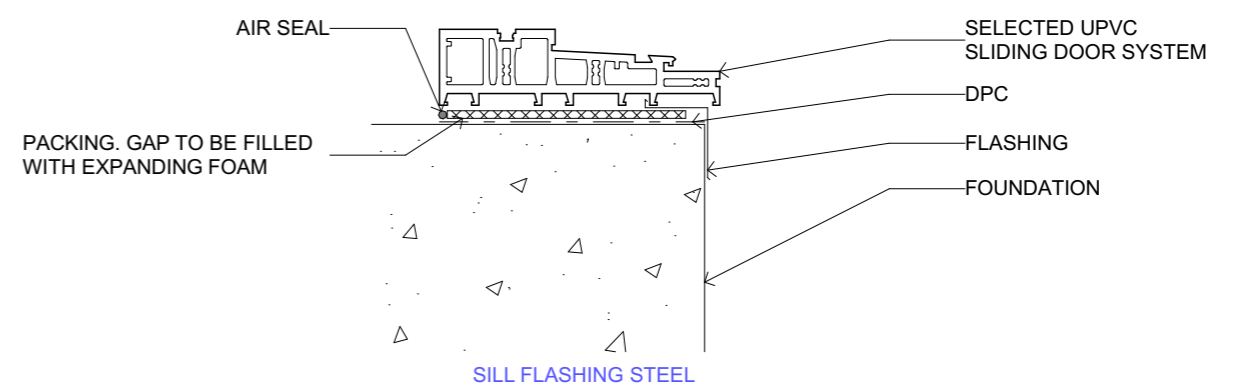
JAMB FLASHING TAPE



JAMB FLASHING STEEL



SILL FLASHING TAPE



SILL FLASHING STEEL

REV SHEET SHEET TITLE: UPVC SLIDING DOOR CAVITY WEATHERBOARD

A201

ISSUED: 4/02/2020

EKO WINDOWS

UPVC WINDOW & DOOR DETAILS

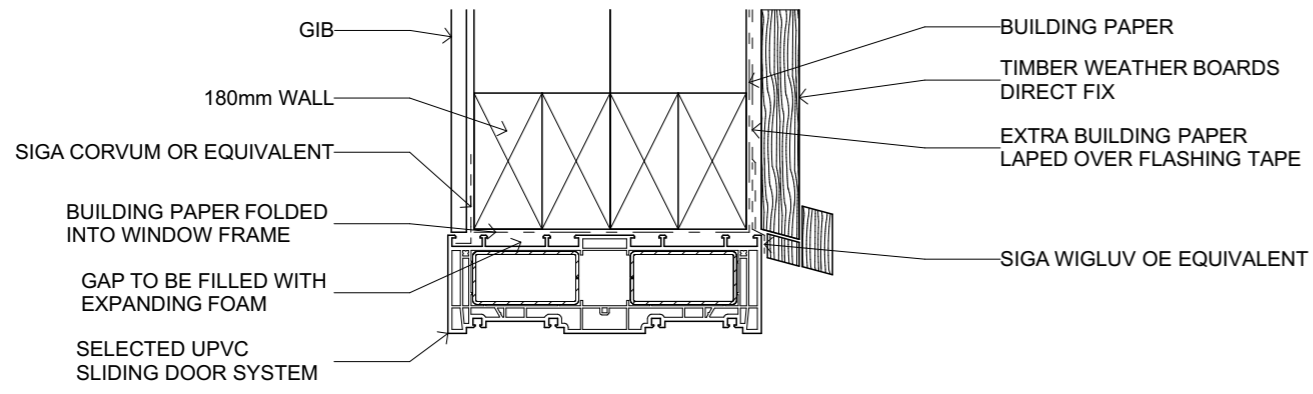
Notes: 5mm min gap between window and cladding.

UPVC 88 system used in details.

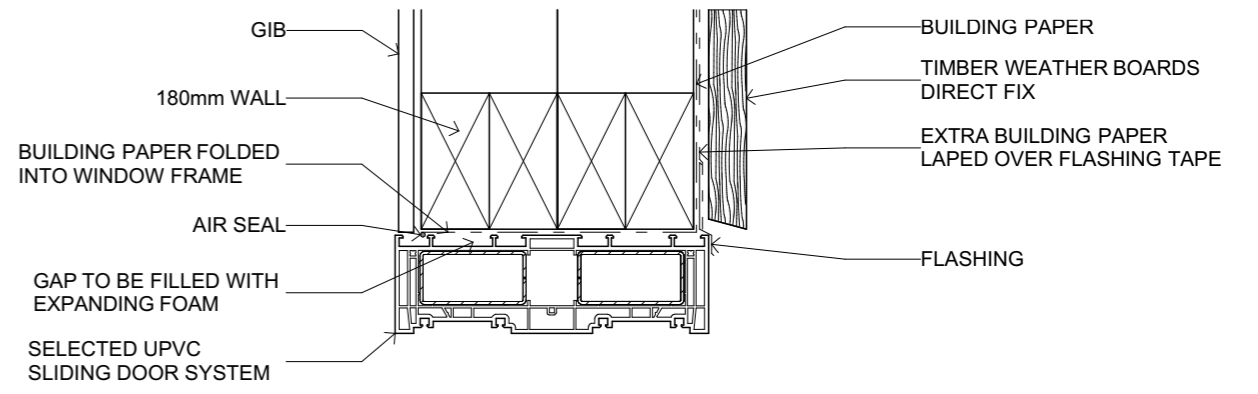
Scale 1:5 @ A3

Do not scale off drawings

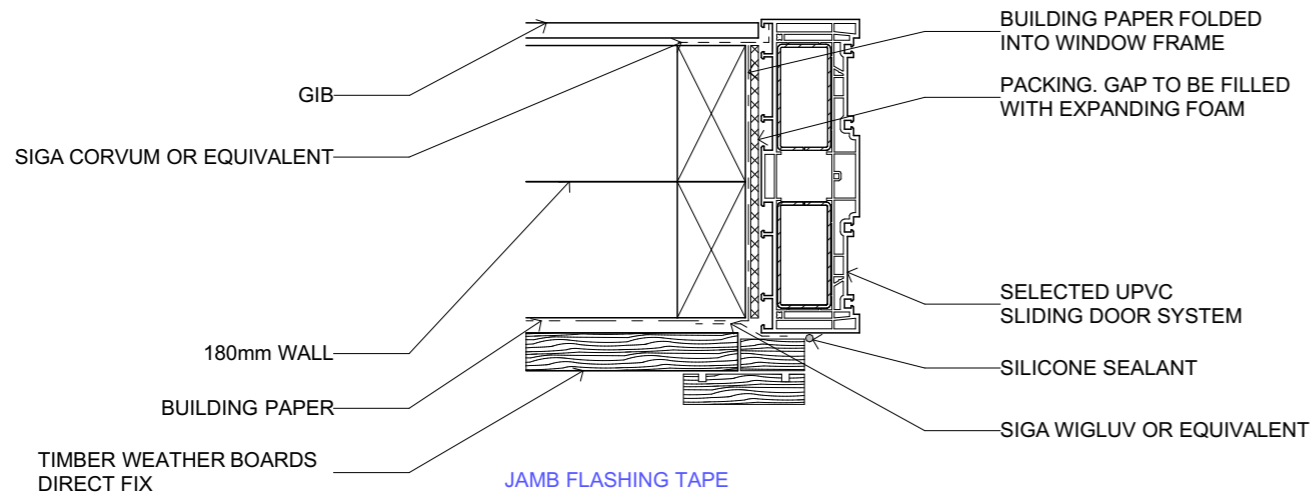
RevID	ChID	Revision	Date



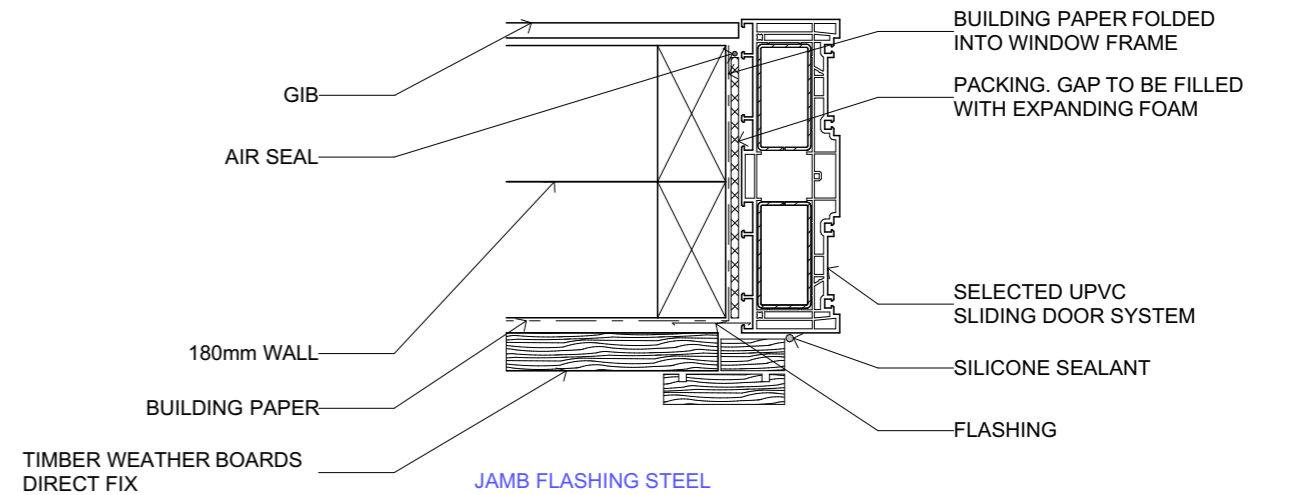
HEAD FLASHING TAPE



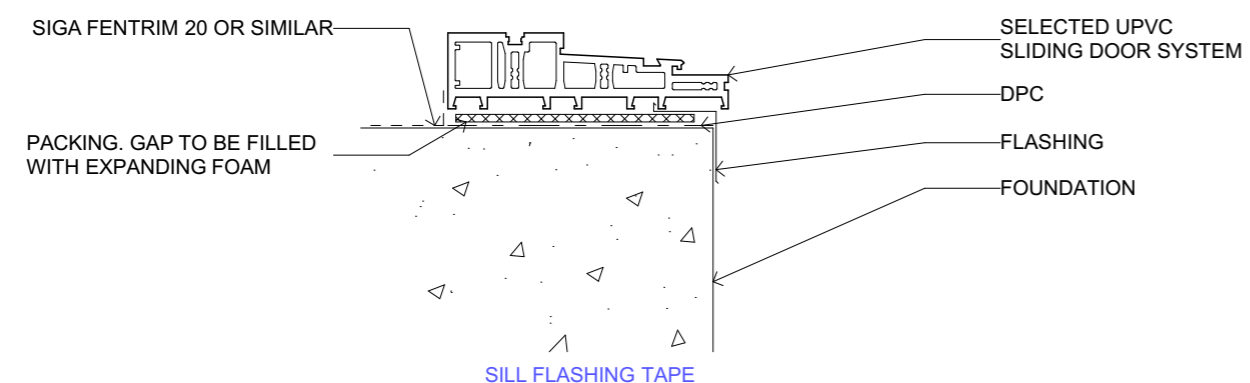
HEAD FLASHING STEEL



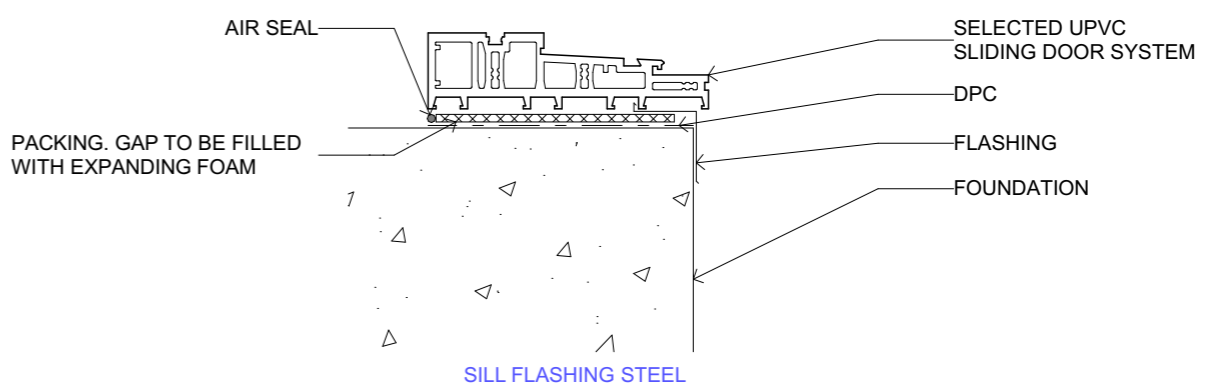
JAMB FLASHING TAPE



JAMB FLASHING STEEL



SILL FLASHING TAPE



SILL FLASHING STEEL

REV SHEET SHEET TITLE: UPVC SLIDING DOOR DIRECT FIX WEATHERBOARD

A202

ISSUED: 4/02/2020

EKO WINDOWS

UPVC WINDOW & DOOR DETAILS

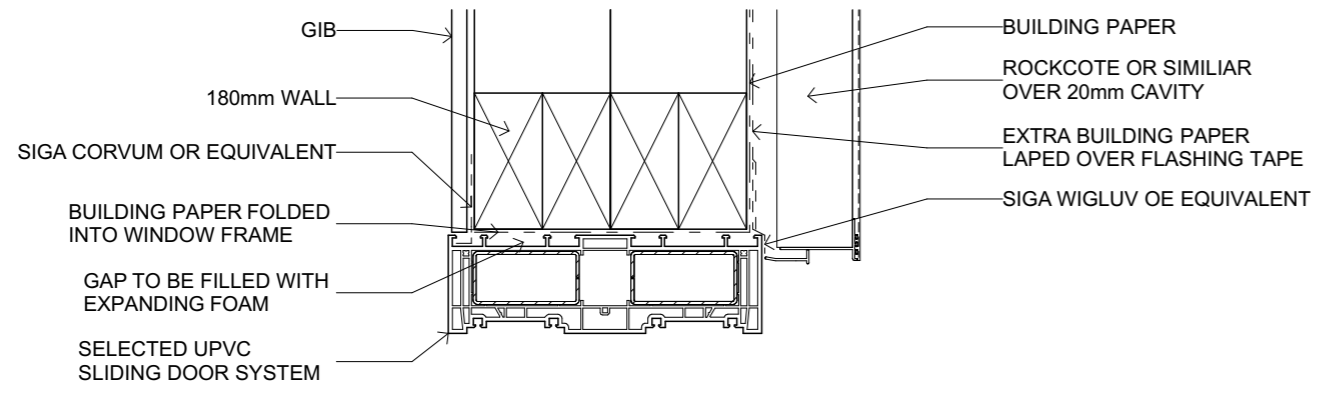
Notes: 5mm min gap between window and cladding.

UPVC 88 system used in details.

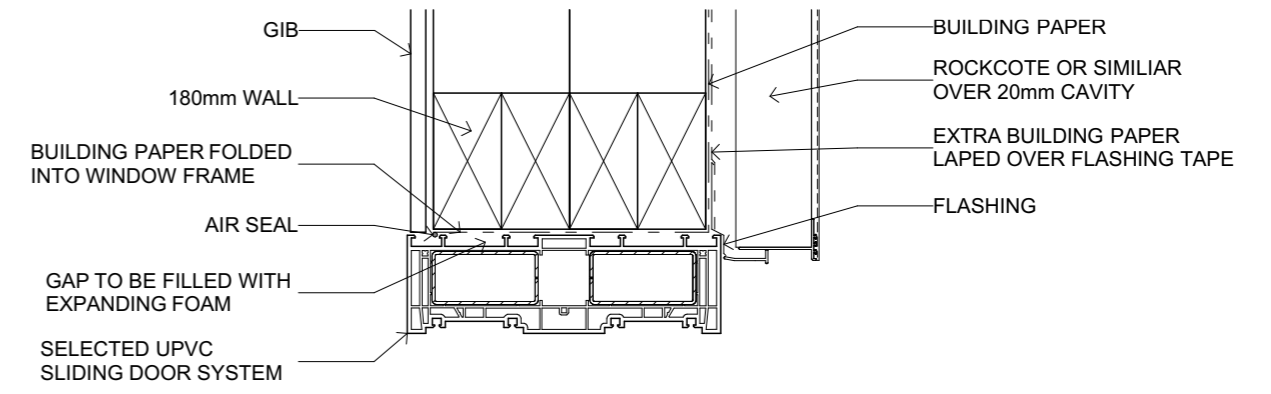
Scale 1:5 @ A3

Do not scale off drawings

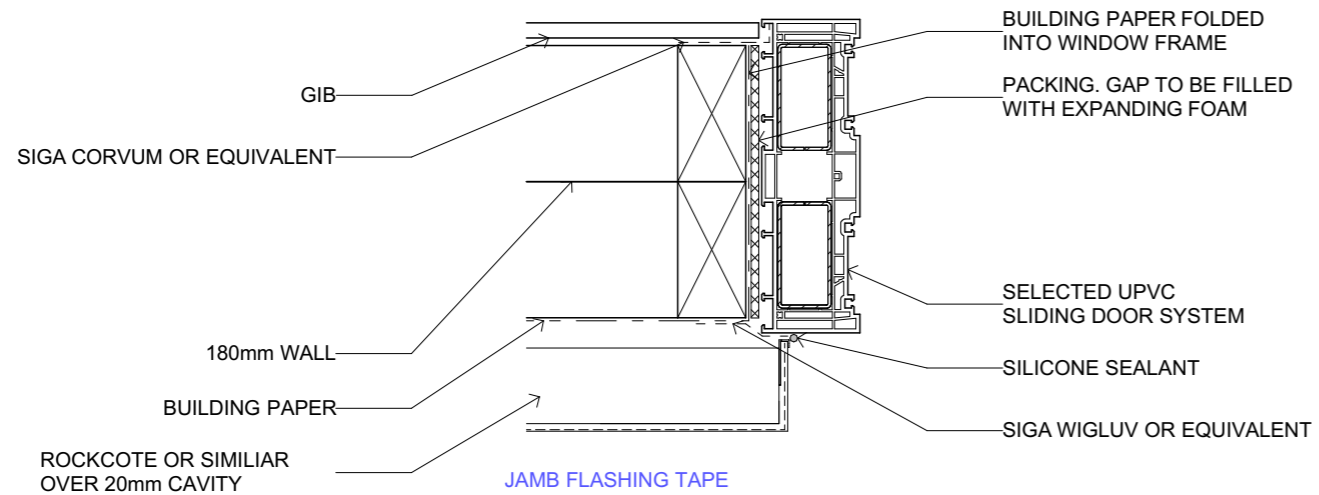
RevID	ChID	Revision	Date



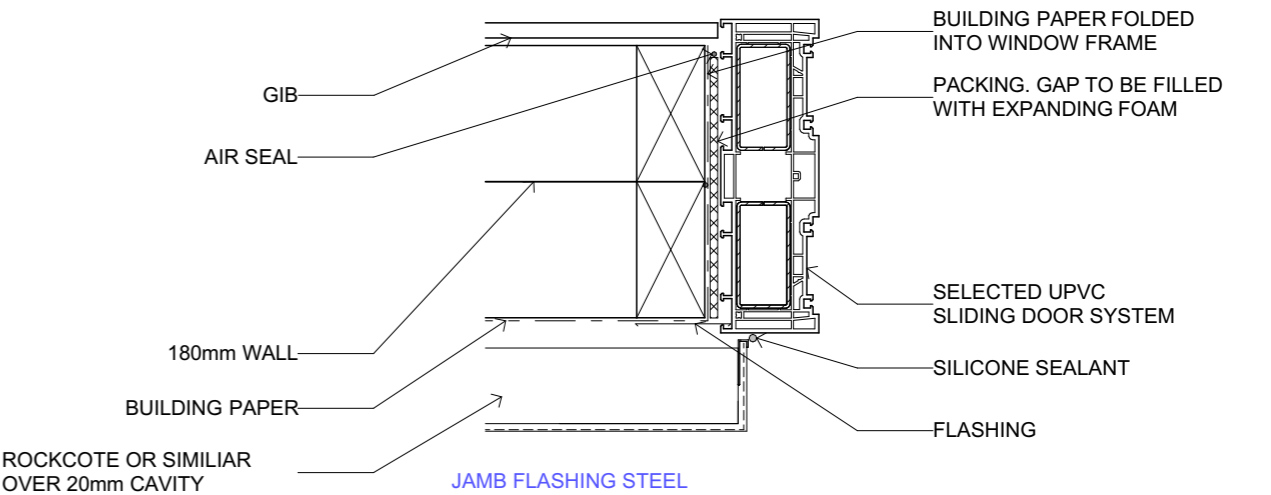
HEAD FLASHING TAPE



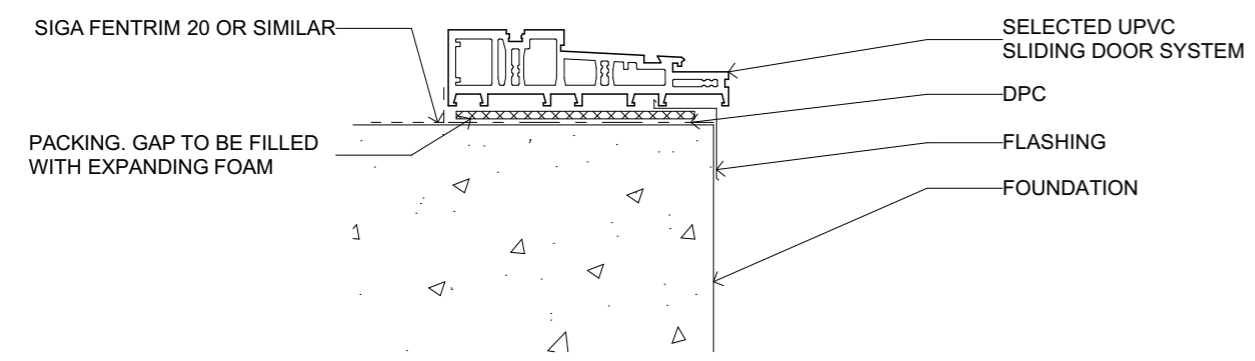
HEAD FLASHING STEEL



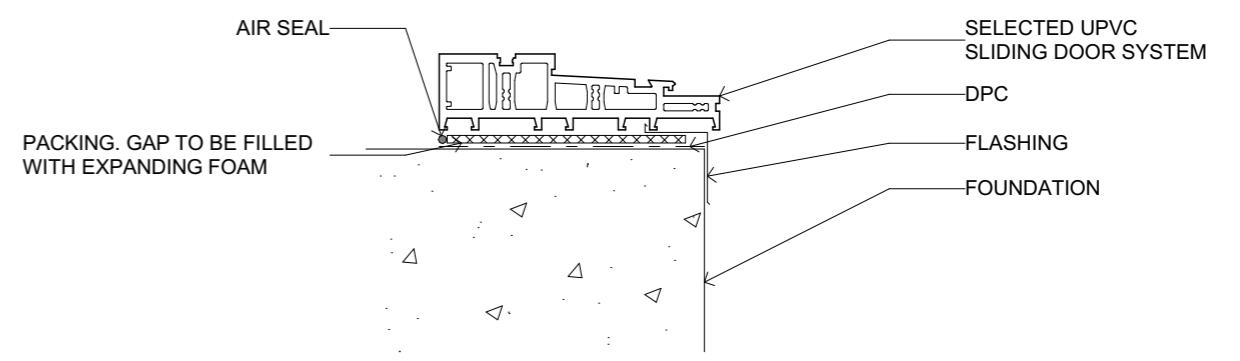
JAMB FLASHING TAPE



JAMB FLASHING STEEL



SILL FLASHING TAPE



SILL FLASHING STEEL

REV SHEET SHEET TITLE: UPVC SLIDING DOOR EIFS

A203

ISSUED: 4/02/2020

EKO WINDOWS

UPVC WINDOW & DOOR DETAILS

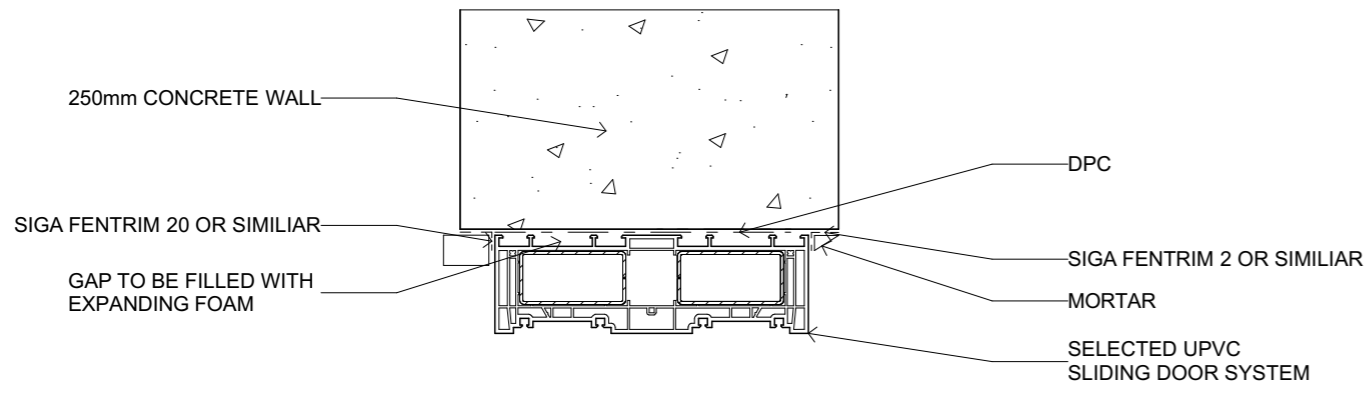
Notes: 5mm min gap between window and cladding.

UPVC 88 system used in details.

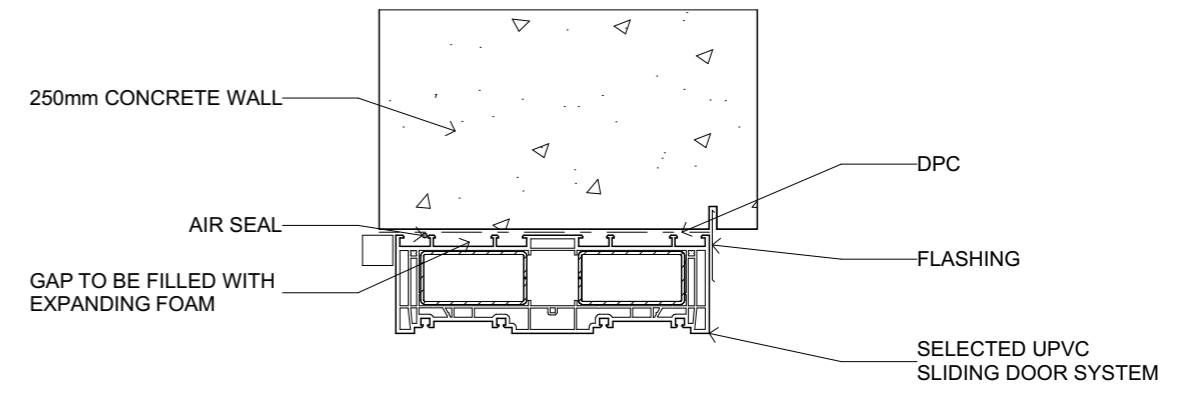
Scale 1:5 @ A3

Do not scale off drawings

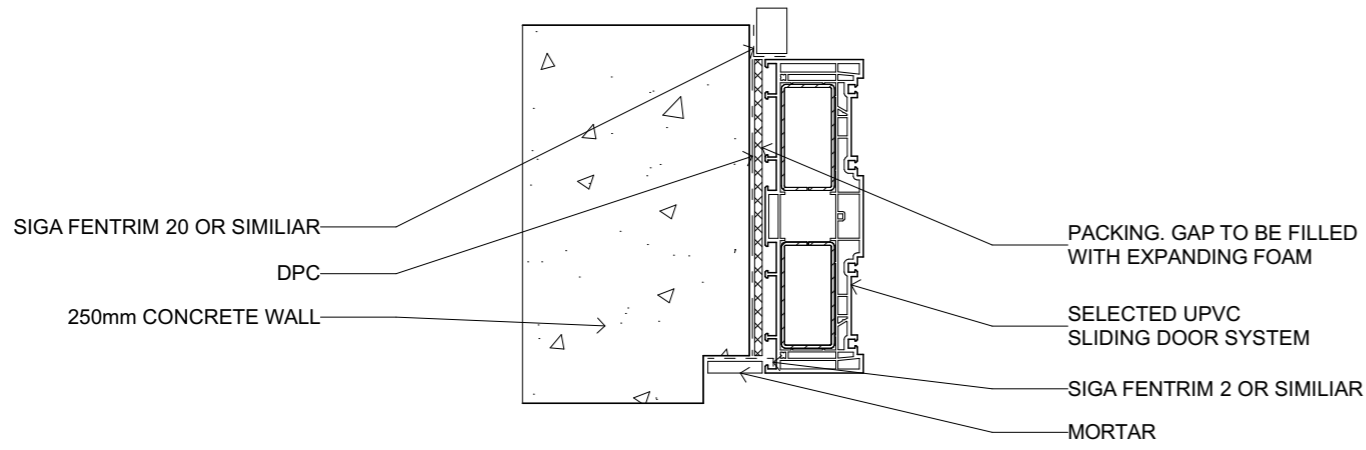
RevID	ChID	Revision	Date



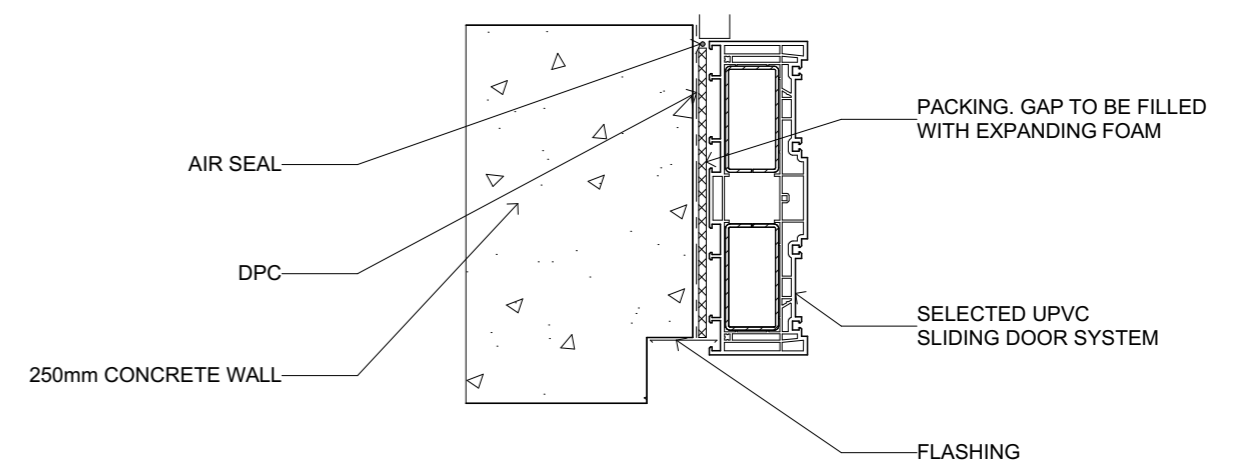
HEAD FLASHING TAPE



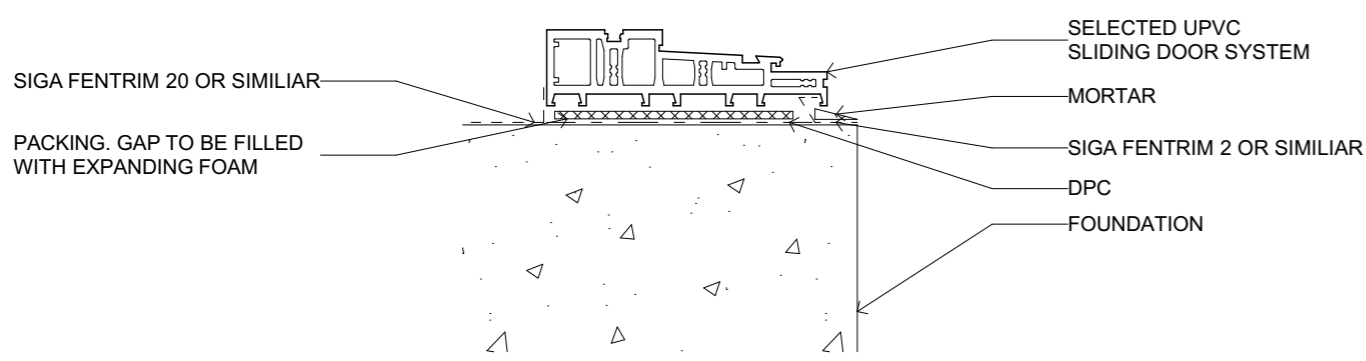
HEAD FLASHING STEEL



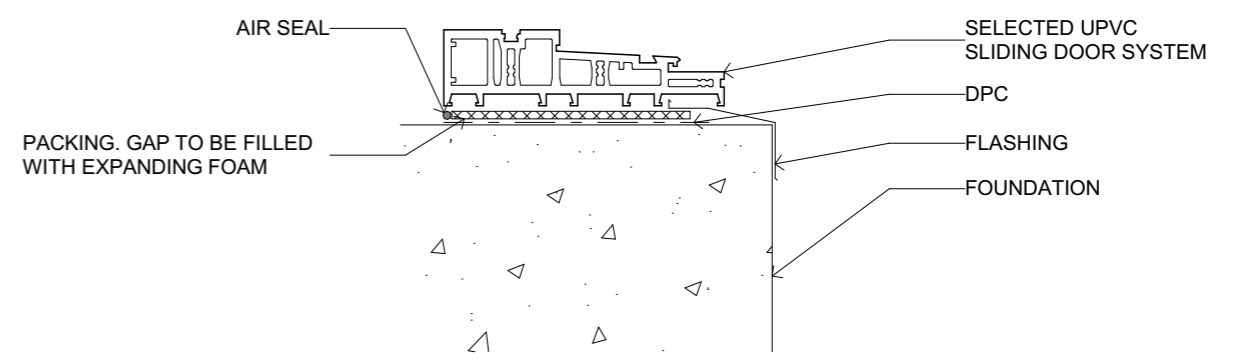
JAMB FLASHING TAPE



JAMB FLASHING STEEL



SILL FLASHING TAPE



SILL FLASHING STEEL

REV SHEET SHEET TITLE: UPVC SLIDING DOOR SOLID WALL

A204

ISSUED: 4/02/2020

EKO WINDOWS

UPVC WINDOW & DOOR DETAILS

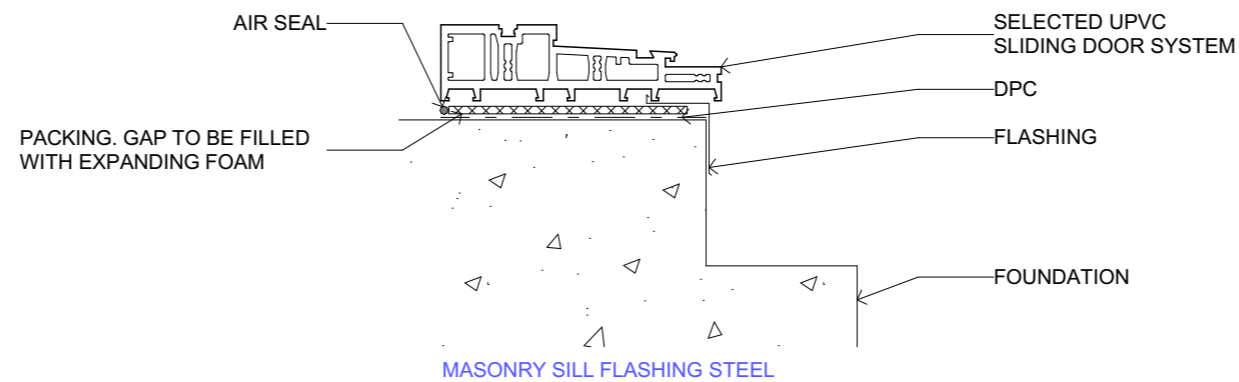
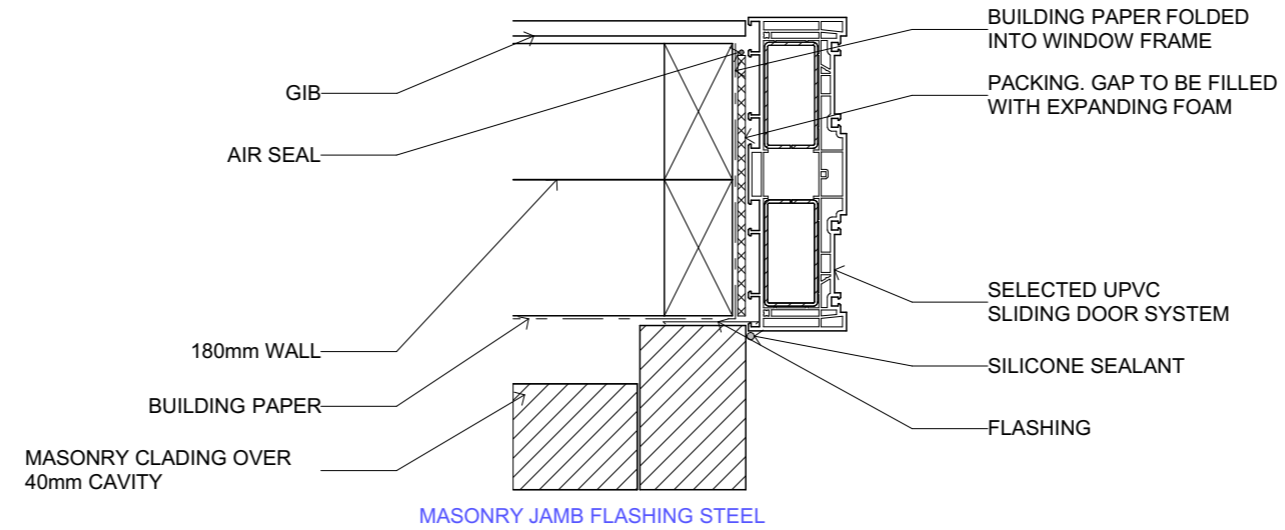
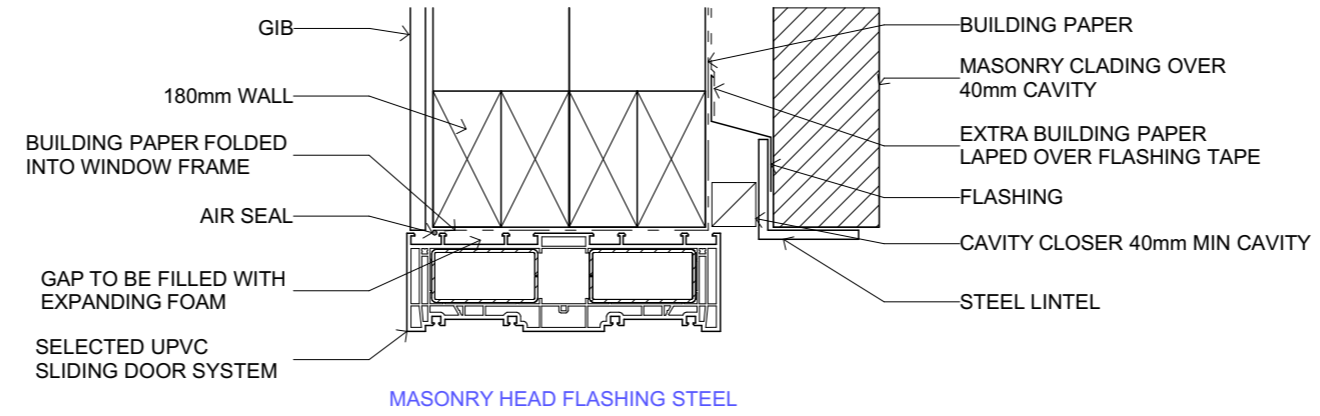
Notes: 5mm min gap between window and cladding.

UPVC 88 system used in details.

Scale 1:5 @ A3

Do not scale off drawings

RevID	ChID	Revision	Date



Notes: 5mm min gap between window and cladding.

UPVC 88 system used in details.

Scale 1:5 @ A3

Do not scale off drawings

REV	SHEET	SHEET TITLE: UPVC
		SLIDING DOOR MASONRY
	A205	
	ISSUED:	4/02/2020

EKO WINDOWS

UPVC WINDOW & DOOR DETAILS

RevID	ChID	Revision	Date